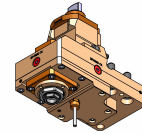
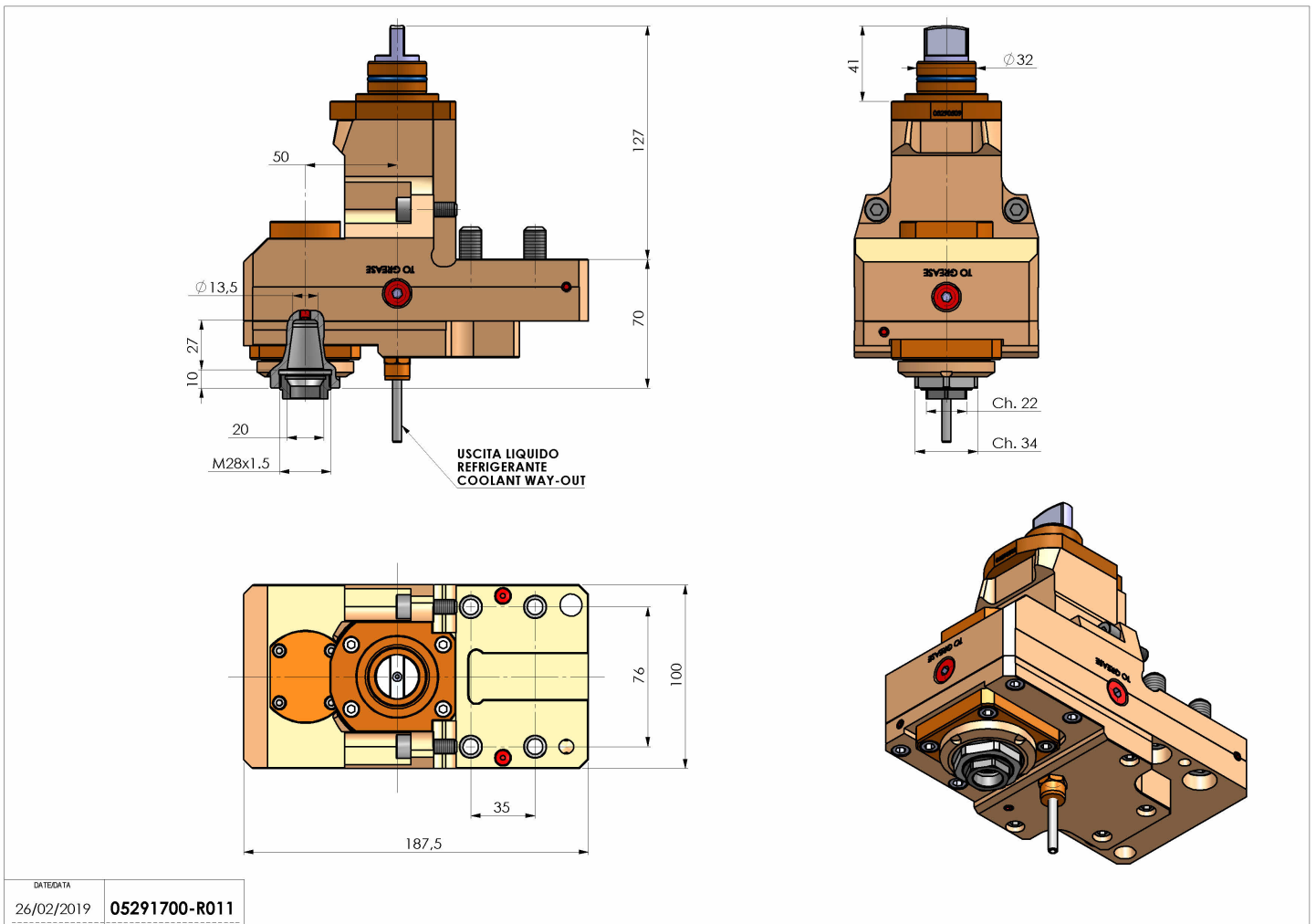


05291700 - LT-S D32 ER20F OFS50 1:2 H70

Type	LT-S OFS Tool holder straight offset
Mounting	CYLINDRICAL SHANK 32
Tool output	Collet nut ER 20 F - internal nut
Coolant	External coolant
Offset [mm]	50
Direction of rotation	r1 ↻ r2 ↻
Max speed [rpm]	in 6000 / out 12000
Max torque [Nm]	in 50 / out 25
Ratio	1:2
H [mm]	70
Accessories	N.A.
Notes	N.A.
Mounting tips	Not suitable for every application, please check



Always check live tool dimensions on the turret



DATE/DATE	05291700-R011
26/02/2019	

Subject to technical changes