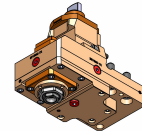
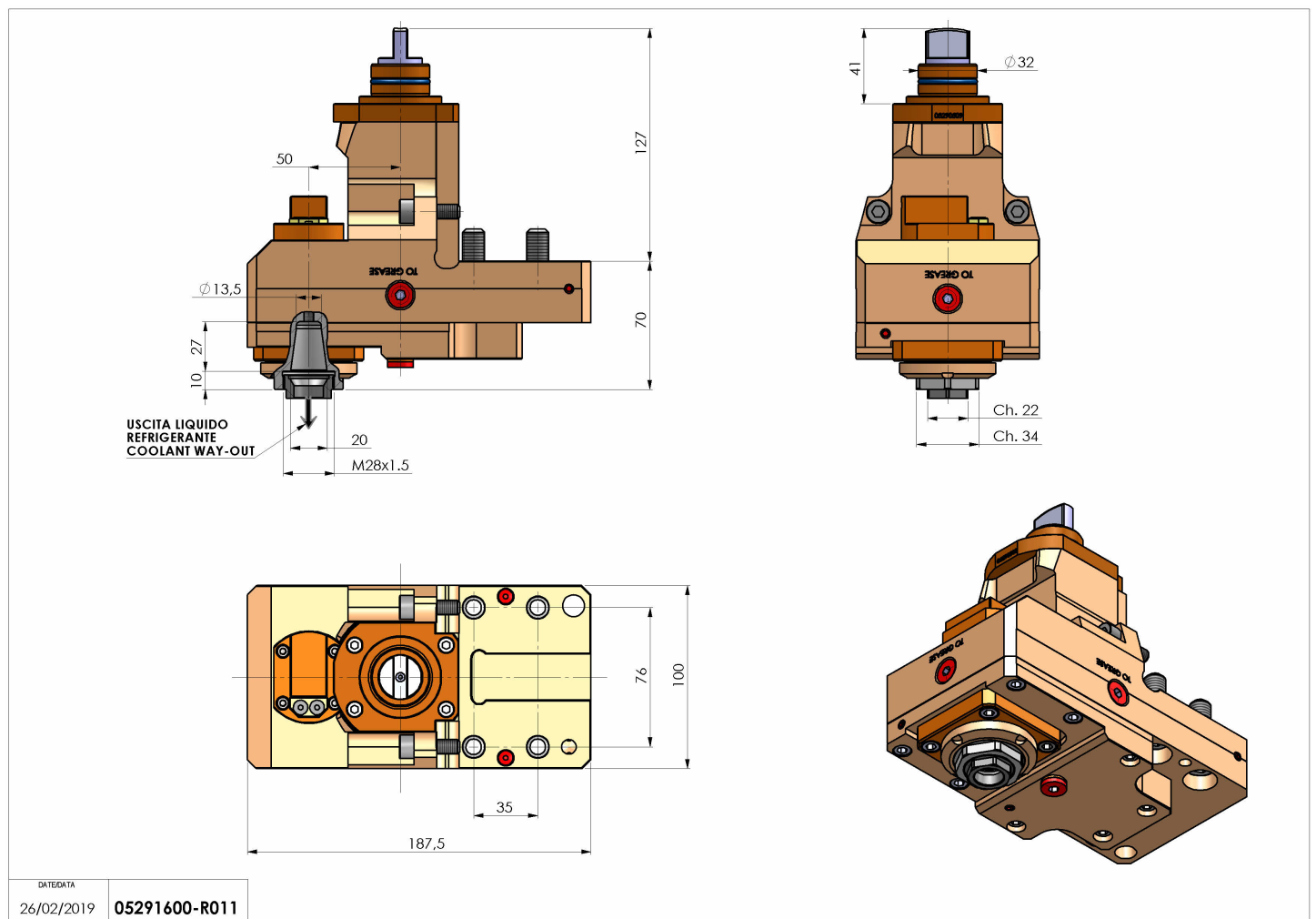


# 05291600 - LT-S D32 ER20F OFS50 HRF1:2H70

<b>Type</b>	LT-S OFS Tool holder straight offset
<b>Mounting</b>	CYLINDRICAL SHANK 32
<b>Tool output</b>	Collet nut ER 20 F - internal nut
<b>Coolant</b>	HP Internal coolant
<b>Offset [mm]</b>	50
<b>Direction of rotation</b>	r1 ↻ r2 ↻
<b>Max speed [rpm]</b>	in 6000 / out 12000
<b>Max torque [Nm]</b>	in 50 / out 25
<b>Ratio</b>	1:2
<b>H [mm]</b>	70
<b>Max pressure [bar]</b>	80
<b>Accessories</b>	N.A.
<b>Notes</b>	N.A.
<b>Mounting tips</b>	Not suitable for every application, please check



Always check live tool dimensions on the turret



DATE/DATE: 26/02/2019  
05291600-R011

Subject to technical changes