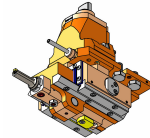
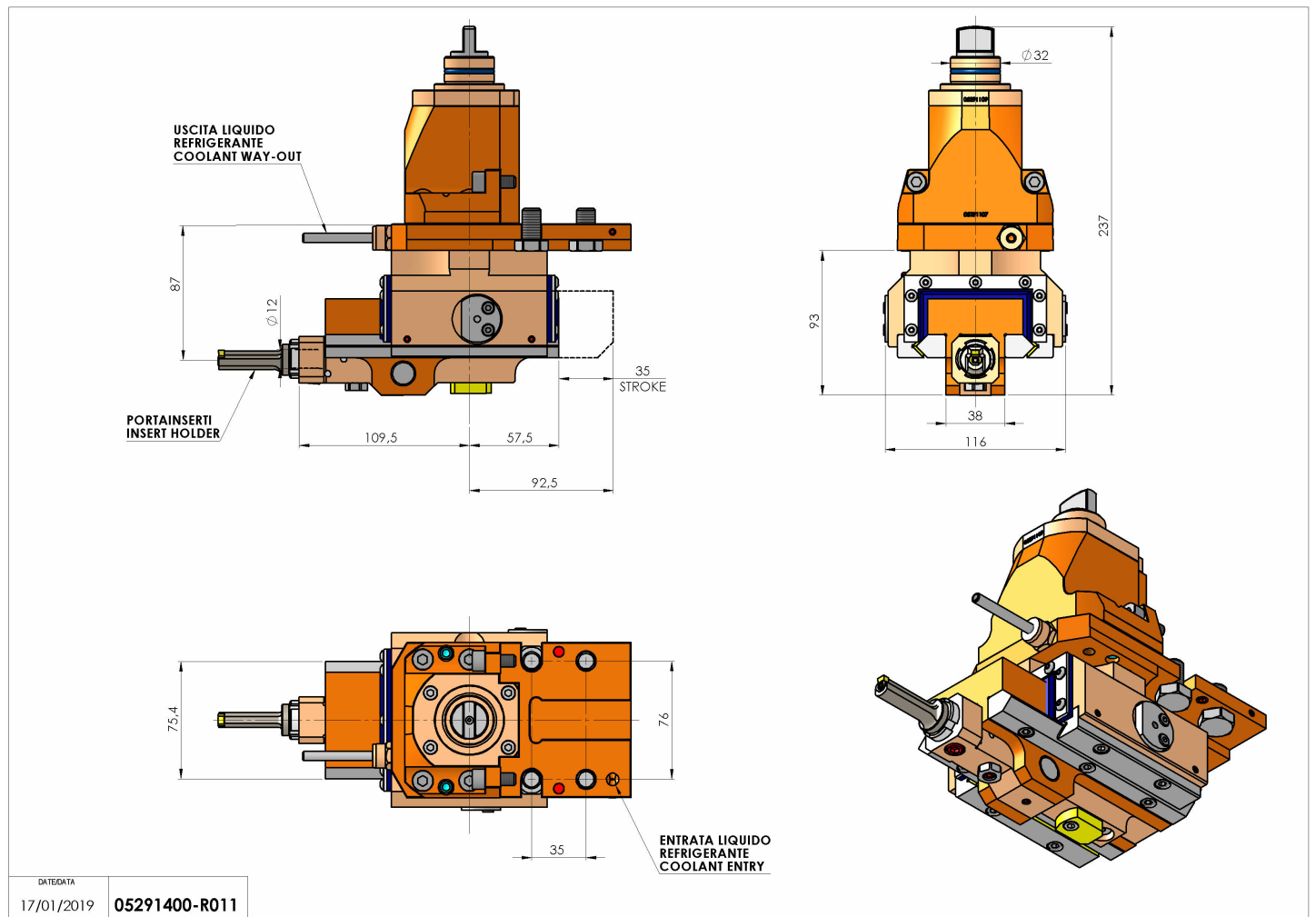


05291400 - LT-A ST35 D32 C12 CR-AY H87

Type	LT-A ST Slotting tool 90°
Mounting	CYLINDRICAL SHANK 32
Tool output	Tool diameter 12
Coolant	External coolant
Max speed [rpm]	700
Max torque [Nm]	17.5
Ratio	1:1
Y axis adjustment	SI
Feed pushing [N]	-
Stroke [mm]	35
Work stroke [mm]	30
H [mm]	87
Accessories	N.A.
Notes	N.A.
Mounting tips	Not suitable for every application, please check



Always check live tool dimensions on the turret



Subject to technical changes