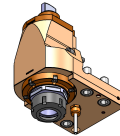
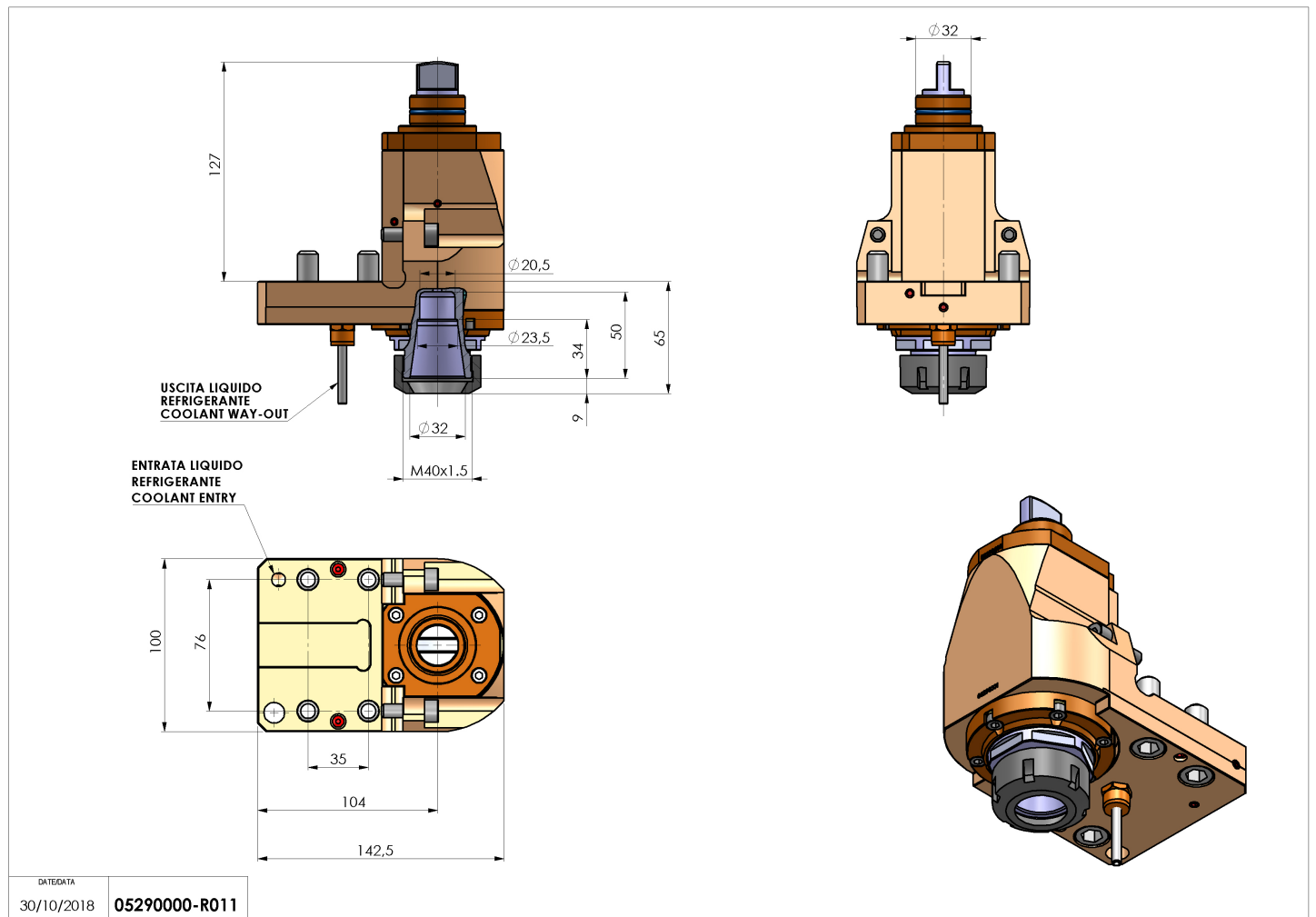


05290000 - LT-S D32 ER32 HS H65

Type	LT-S Tool holder straight
Mounting	CYLINDRICAL SHANK 32
Tool output	Collet nut ER 32
Coolant	External coolant
Direction of rotation	r1 ↻ r2 ↻
Max speed [rpm]	12000
Max torque [Nm]	70
Ratio	1:1
H [mm]	65
Accessories	N.A.
Notes	N.A.
Mounting tips	Not suitable for every application, please check



Always check live tool dimensions on the turret



DATE/DATE
30/10/2018 05290000-R011

Subject to technical changes