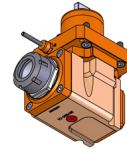
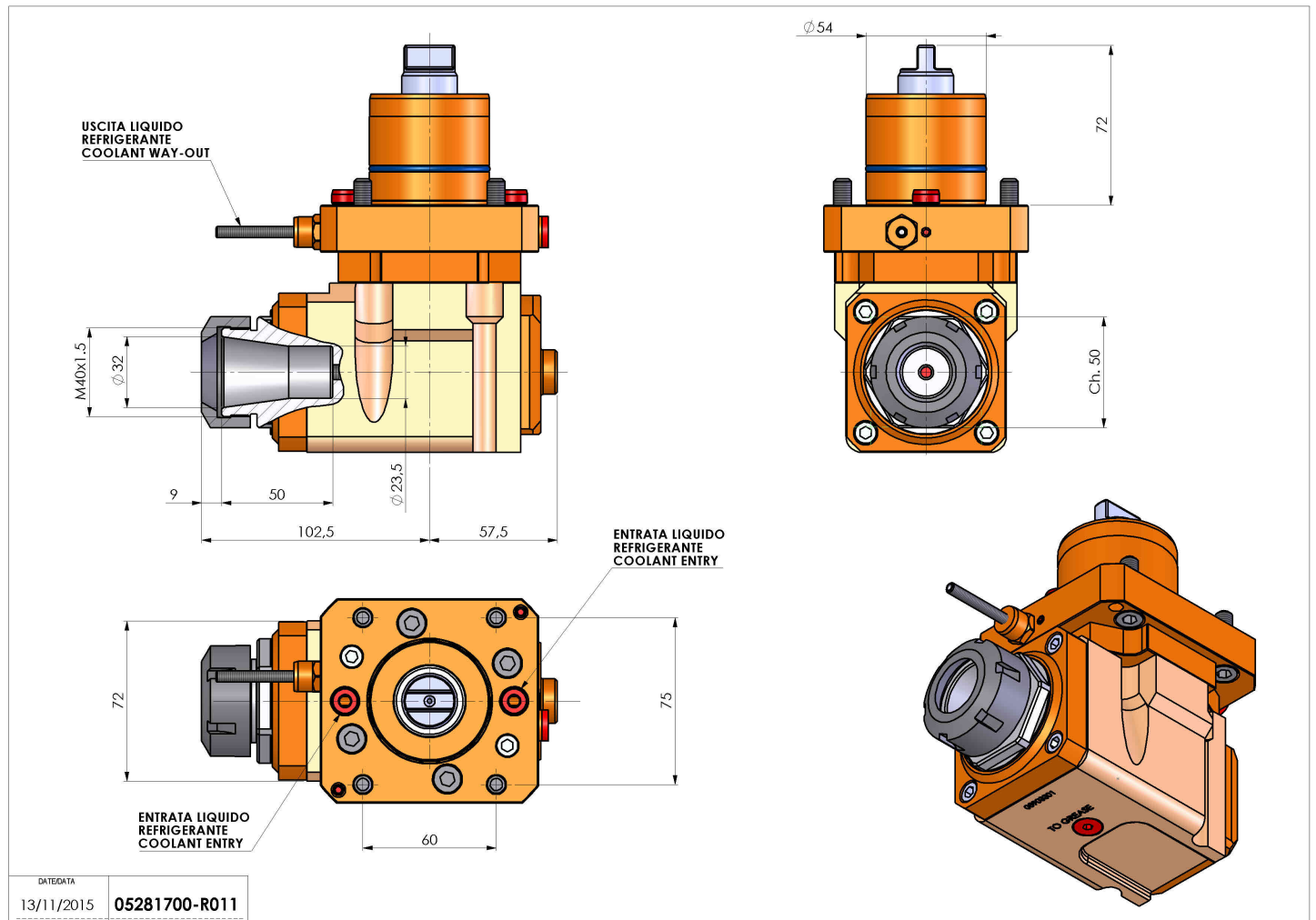


## 05281700 - LT-A D54 ER32 H75 MY

<b>Type</b>	LT-A Tool holder angle 90°
<b>Mounting</b>	CYLINDRICAL SHANK 54
<b>Tool output</b>	Collet nut ER 32
<b>Coolant</b>	External coolant
<b>Direction of rotation</b>	r1  r2
<b>Max speed [rpm]</b>	6000
<b>Max torque [Nm]</b>	40
<b>Ratio</b>	1:1
<b>H [mm]</b>	75
<b>H1 [mm]</b>	36
<b>Accessories</b>	N.A.
<b>Notes</b>	N.A.
<b>Mounting tips</b>	Not suitable for every application, please check



Always check live tool dimensions on the turret



DATE DATA	
13/11/2015	05281700-R011

Subject to technical changes