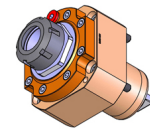
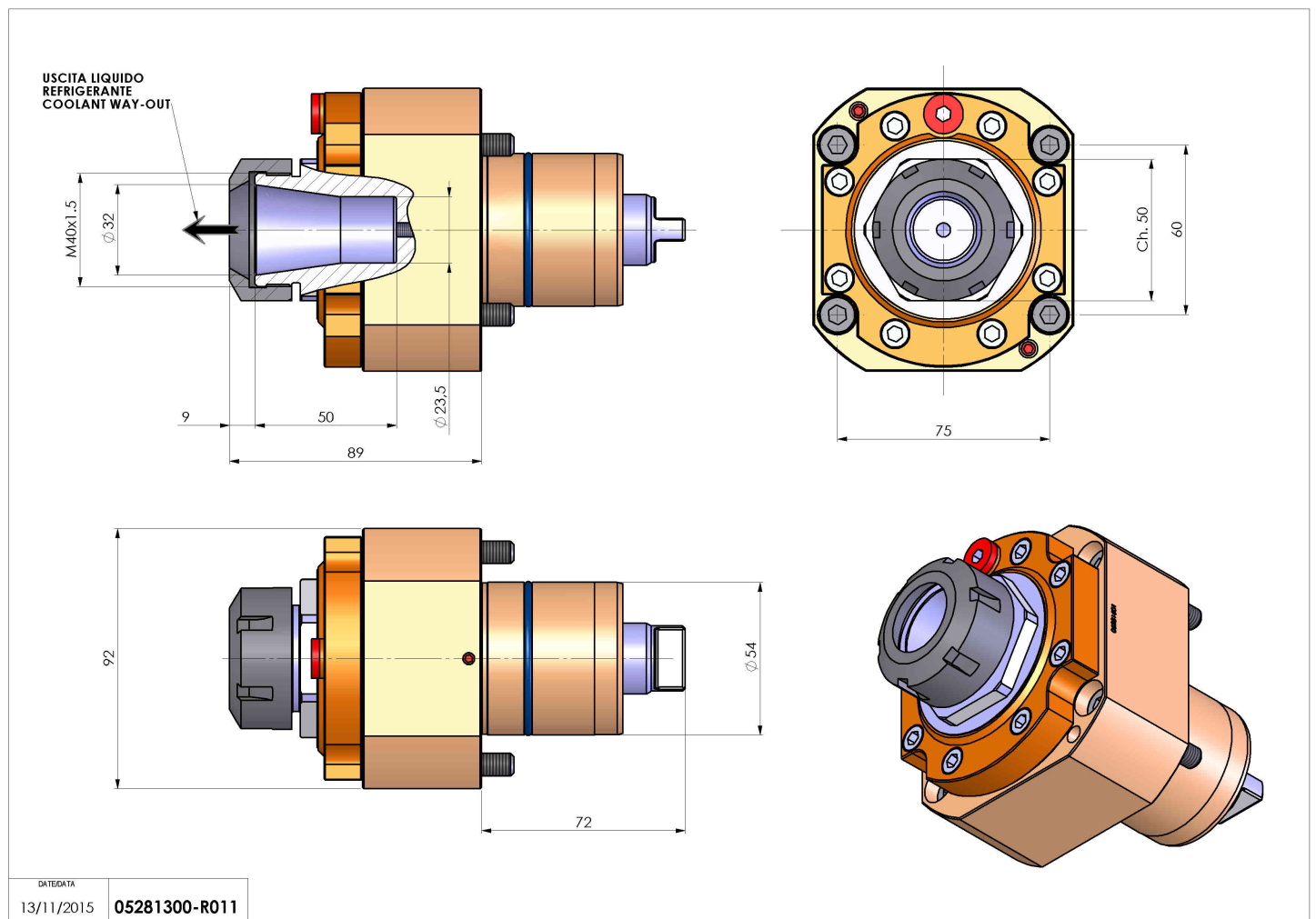


05281300 - LT-S D54 ER32 RF H89 MY

Type	LT-S Tool holder straight
Mounting	CYLINDRICAL SHANK 54
Tool output	Collet nut ER 32
Coolant	Internal coolant
Direction of rotation	r1 r2
Max speed [rpm]	6000
Max torque [Nm]	40
Ratio	1:1
H [mm]	89
Accessories	
Notes	N.A.
Mounting tips	Not suitable for every application, please check



Always check live tool dimensions on the turret



DATE/DATE	
13/11/2015	05281300-R011

Subject to technical changes