
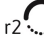
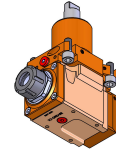
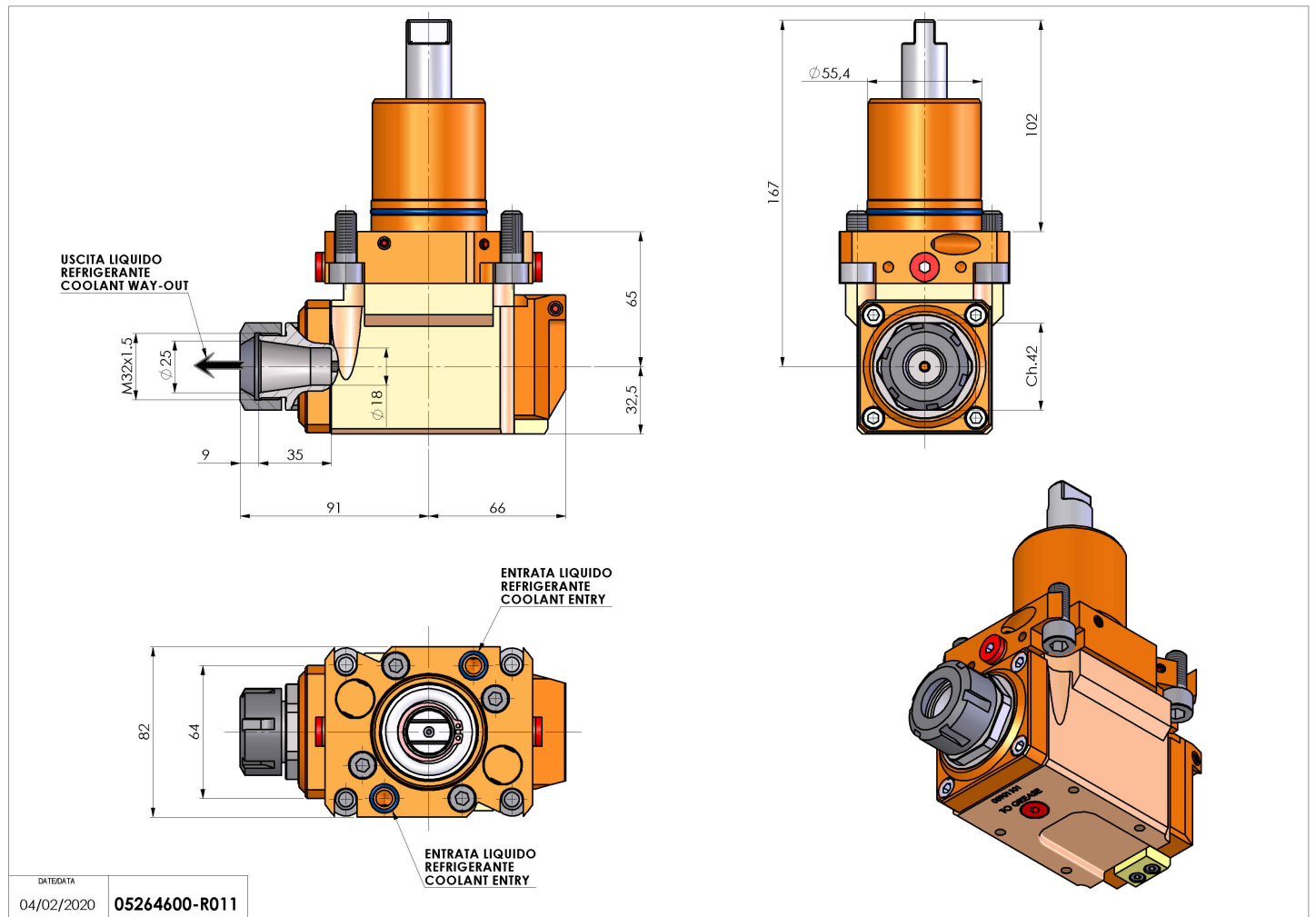


05264600 - LT-A D55,4 ER25 LR HRF H65

Type	LT-A Tool holder angle 90°
Mounting	CYLINDRICAL SHANK 55,4
Tool output	Collet nut ER 25
Coolant	HP Internal coolant
Direction of rotation	r1  r2 
Max speed [rpm]	6000
Max torque [Nm]	40
Ratio	1:1
H [mm]	65
H1 [mm]	32.5
Max pressure [bar]	80
Accessories	N.A.
Notes	N.A.
Mounting tips	Not suitable for every application, please check



Always check live tool dimensions on the turret



Subject to technical changes