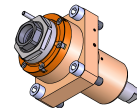
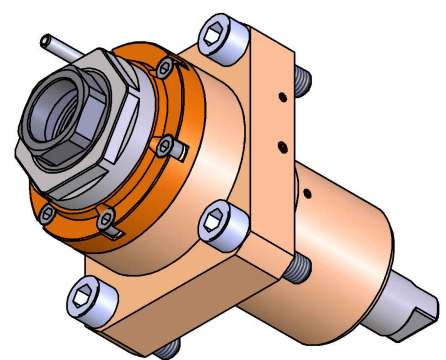
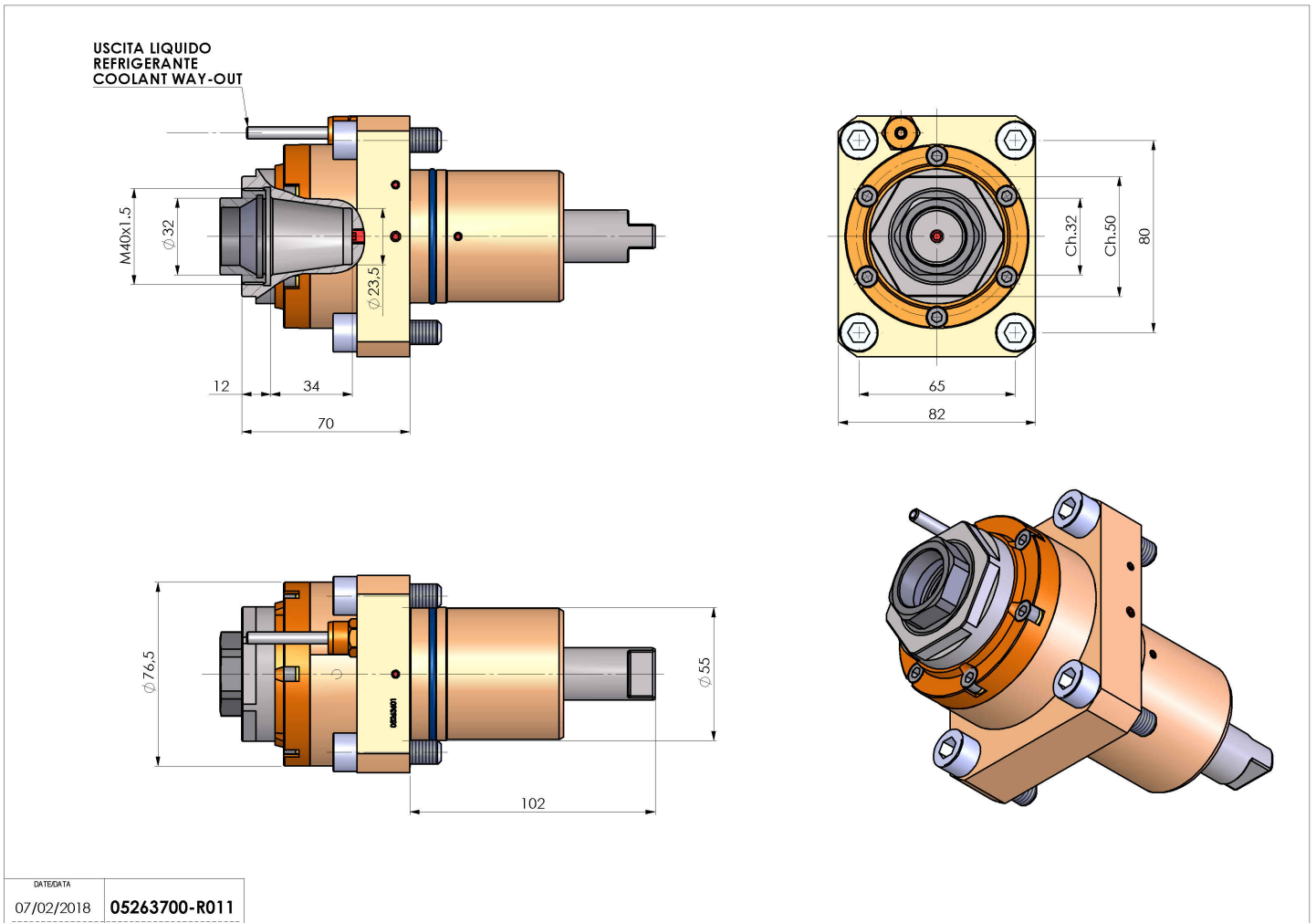


05263700 - LT-S D55.4 ER32F H70

Type	LT-S Tool holder straight
Mounting	CYLINDRICAL SHANK 55,4
Tool output	Collet nut ER 32 F - internal nut
Coolant	External coolant
Direction of rotation	r1 r2
Max speed [rpm]	6000
Max torque [Nm]	40
Ratio	1:1
H [mm]	70
Accessories	N.A.
Notes	N.A.
Mounting tips	Not suitable for every application, please check



Always check live tool dimensions on the turret



DATE/DATE	07/02/2018
PART NUMBER	05263700-R011

Subject to technical changes