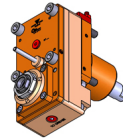
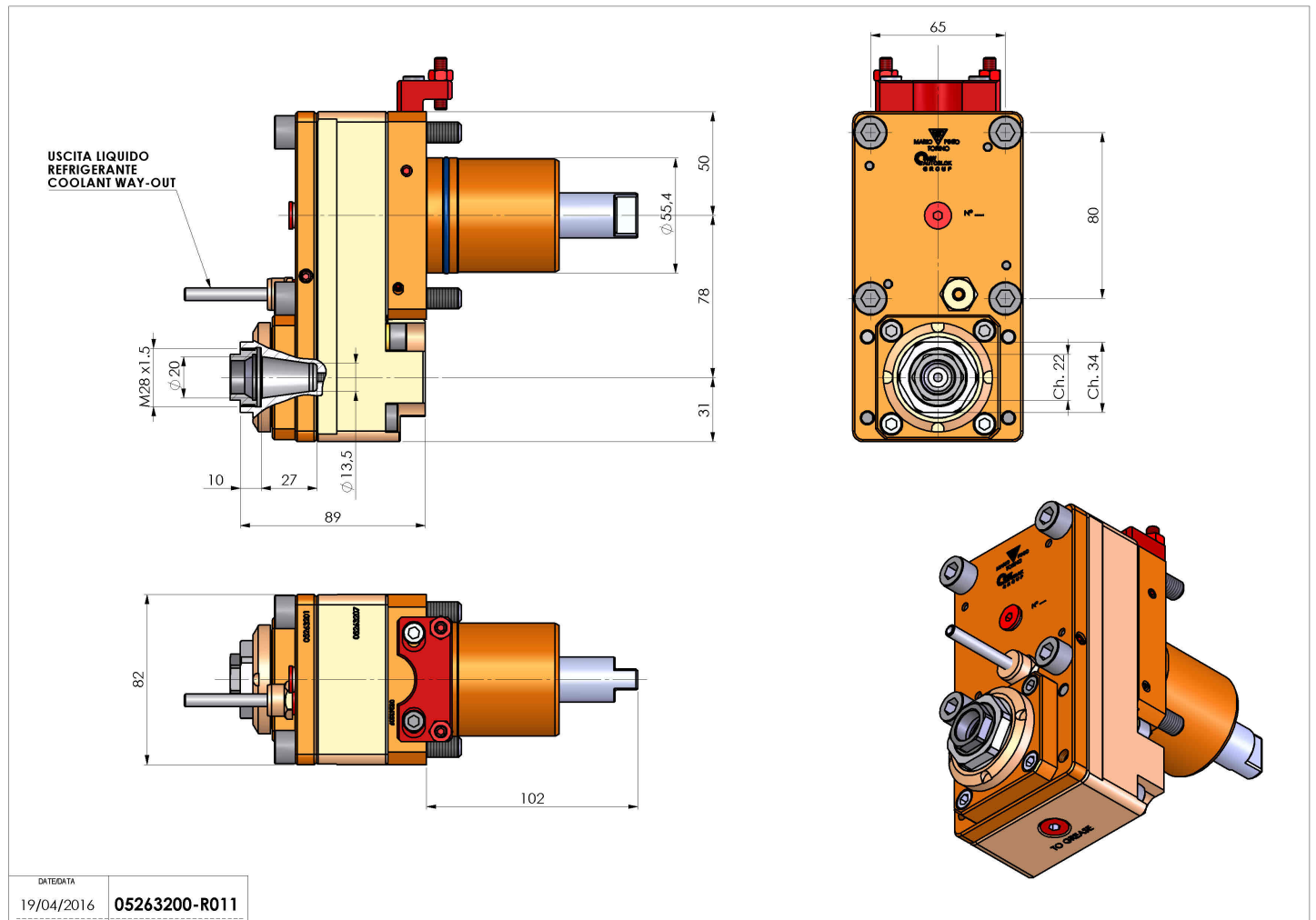


05263200 - LT-SD55.4ER20F OF78LR1:3H90 OK

Type	LT-S OFS Tool holder straight offset
Mounting	CYLINDRICAL SHANK 55,4
Tool output	Collet nut ER 20 F - internal nut
Coolant	External coolant
Offset [mm]	78
Direction of rotation	r1 ↻ r2 ↻
Max speed [rpm]	in 5000 / out 15000
Max torque [Nm]	in 50 / out 14
Ratio	1:3
H [mm]	89,5
Accessories	N.A.
Notes	N.A.
Mounting tips	Not suitable for every application, please check



Always check live tool dimensions on the turret



Subject to technical changes