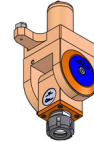


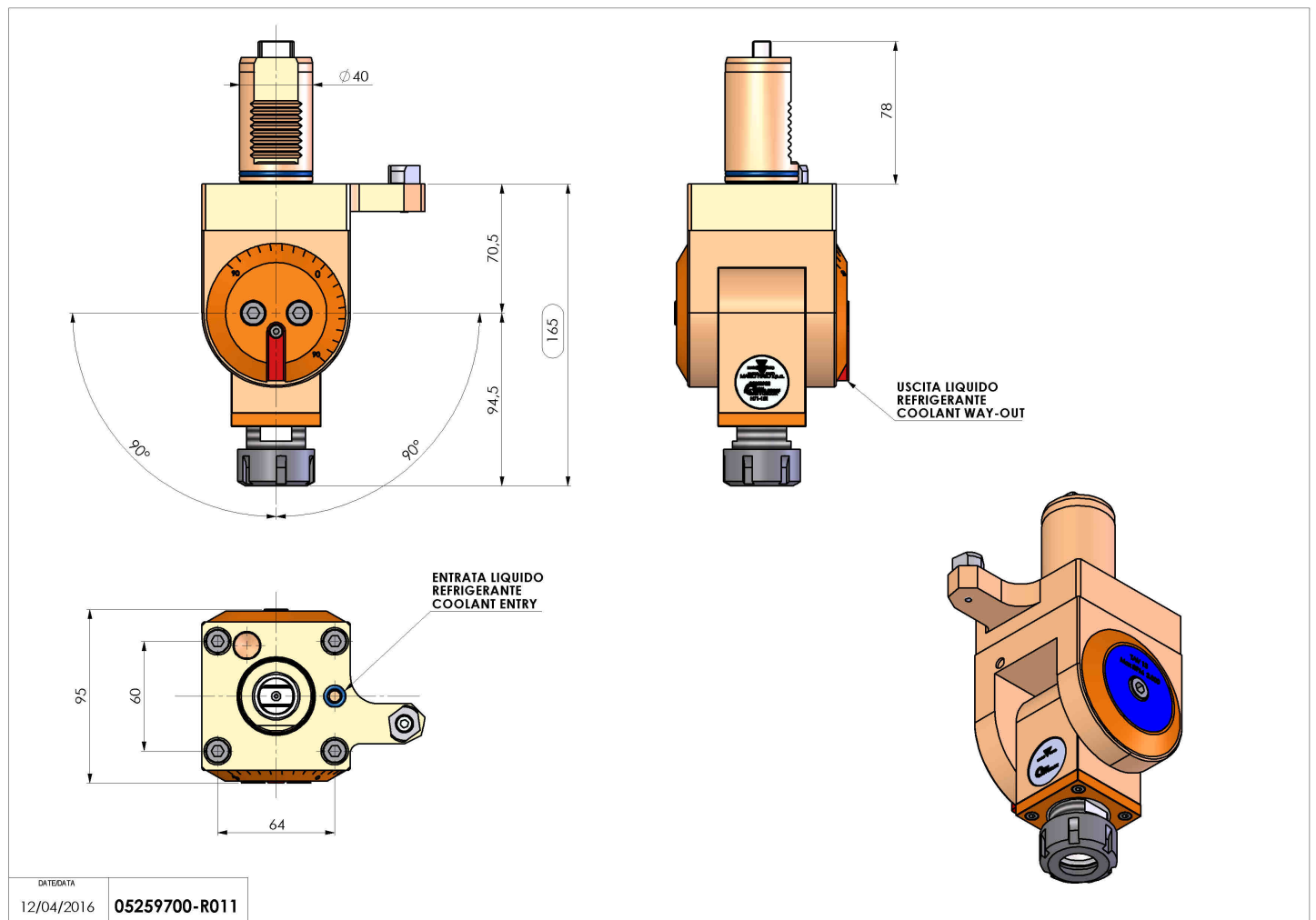
## 05259700 - LT-T VDI40 ER25 H71-165 MZ

|               |  |
|---------------|--|
| Type          | LT-T<br>Tool holder tiltable                     |
| Mounting      | VDI 40   |
| Tool output   | Collet nut ER 25                                 |
| Coolant       | External coolant                                 |
| Ratio         | 1:1  |
| H [mm]        | 71-165   |
| Accessories   | N.A.   |
| Notes         | N.A.   |
| Mounting tips | Not suitable for every application, please check |



**ATTENZIONE: VERIFICARE L'ORIENTAMENTO DELLA DENTATURA VDI**

Always check live tool dimensions on the turret



Subject to technical changes