

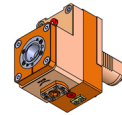


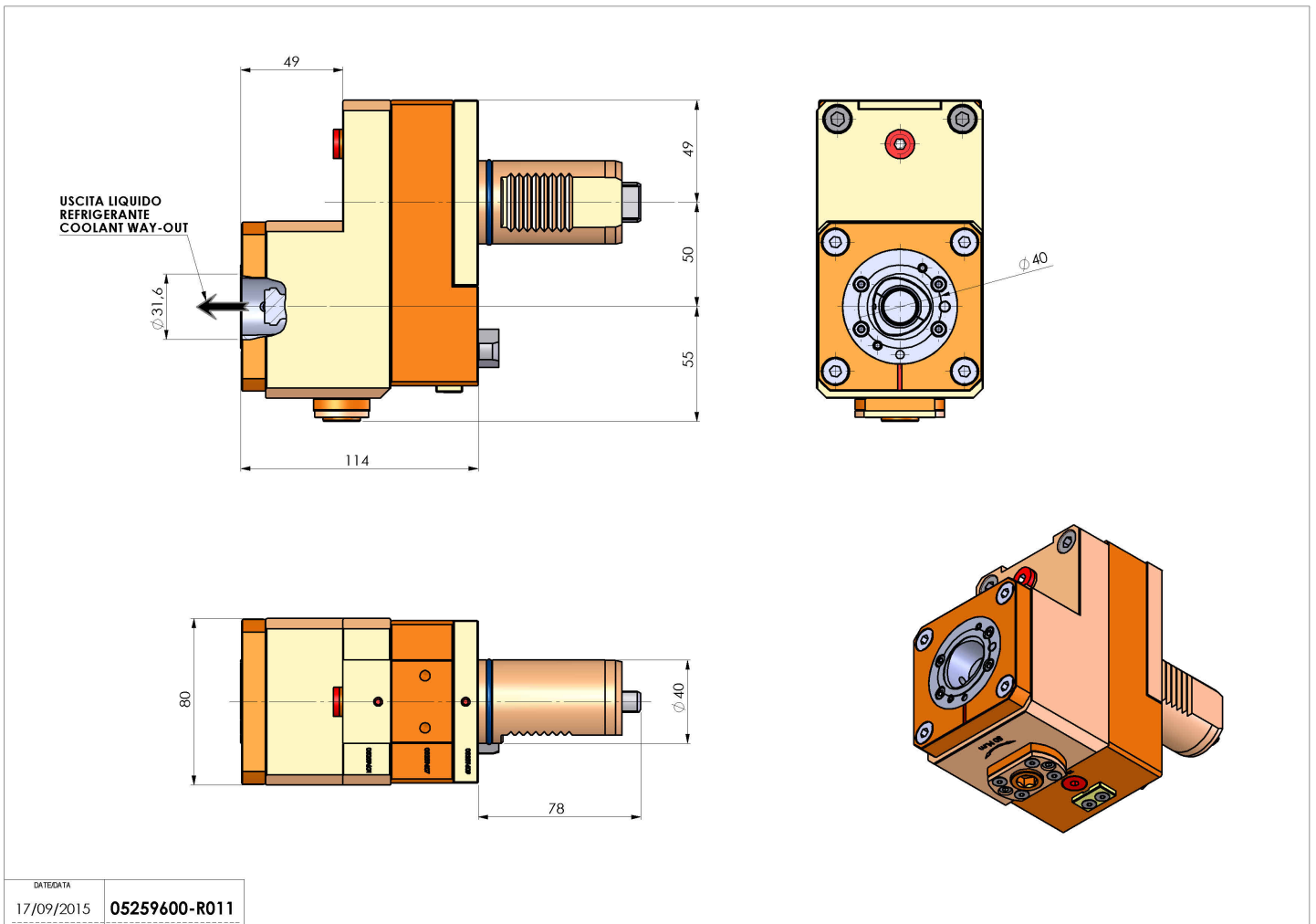
05259600 - LT-SVDI40C4OFS50 RFH-PR H114MZ

Type	LT-S OFS Tool holder straight offset
Mounting	VDI 40
Tool output	Polygonal shank C40 ISO 26623-1
Coolant	Internal coolant
Offset [mm]	50
Direction of rotation	r1  r2 
Max speed [rpm]	6000
Max torque [Nm]	63
Ratio	1:1
H [mm]	114
Tool length [mm]	56
Accessories	N.A.
Notes	N.A.
Mounting tips	Not suitable for every application, please check



ATTENZIONE: VERIFICARE L'ORIENTAMENTO DELLA DENTATURA VDI

Always check live tool dimensions on the turret



DATE/ATA	17/09/2015	05259600-R011
----------	------------	---------------

Subject to technical changes