



## 05256600 - LT-S VDI40 ER40F OFS76RFH108MZ

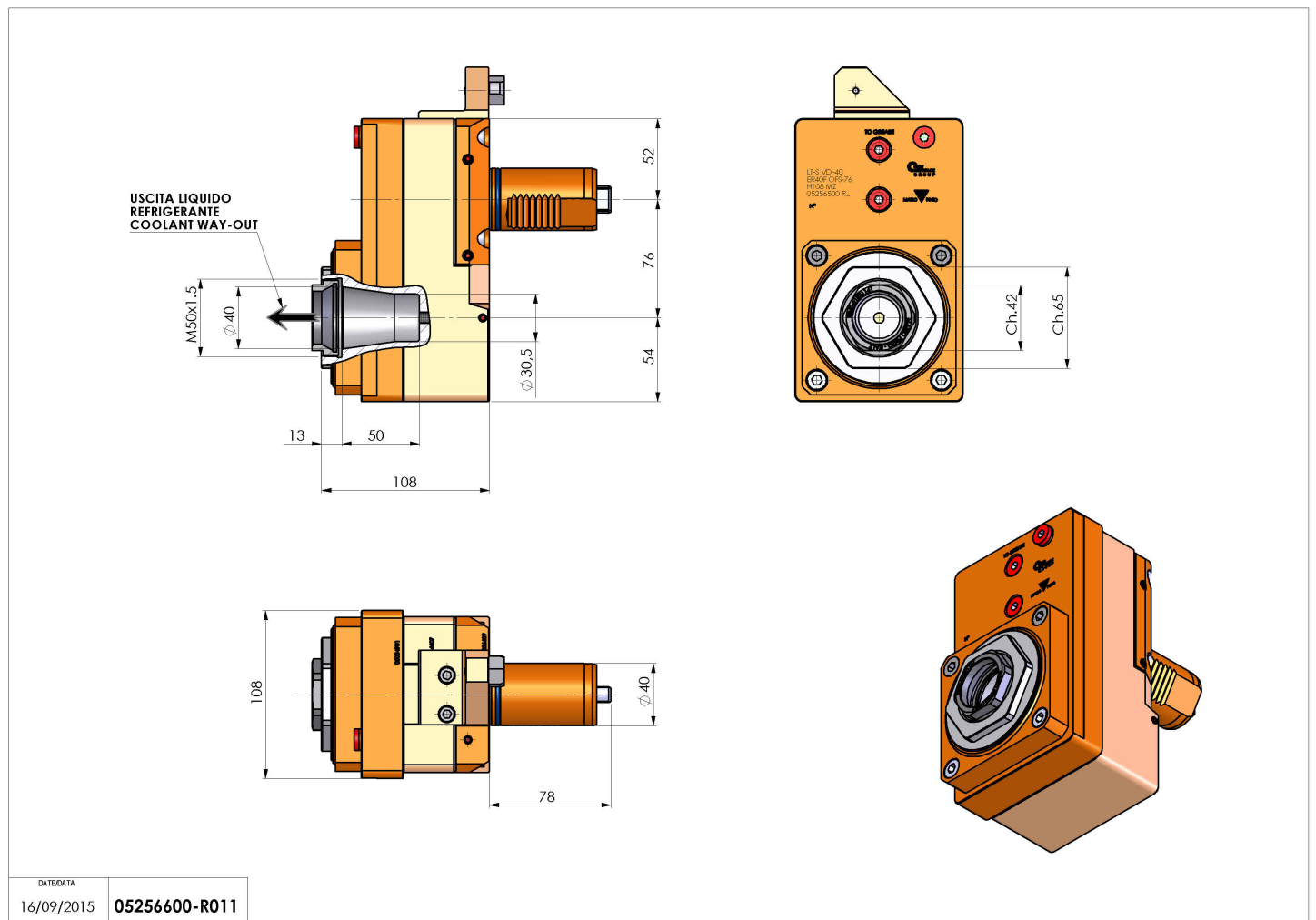
|                              |   |
|------------------------------|---|
| <b>Type</b>                  | LT-S OFS<br>Tool holder straight offset   |
| <b>Mounting</b>              | VDI 40  |
| <b>Tool output</b>           | Collet nut ER 40 F - internal nut   |
| <b>Coolant</b>               | Internal coolant  |
| <b>Offset [mm]</b>           | 76  |
| <b>Direction of rotation</b> | r1  r2  |
| <b>Max speed [rpm]</b>       | 4000  |
| <b>Max torque [Nm]</b>       | 180   |
| <b>Ratio</b>                 | 1:1   |
| <b>H [mm]</b>                | 108   |
| <b>Accessories</b>           | N.A.  |
| <b>Notes</b>                 | N.A.  |



**Mounting tips** Not suitable for every application, please check

**ATTENZIONE: VERIFICARE L'ORIENTAMENTO DELLA DENTATURA VDI**

Always check live tool dimensions on the turret



DATE/DATE  
16/09/2015 **05256600-R011**

Subject to technical changes