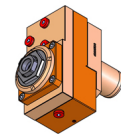


## 05255500 - LT-S VDI40ER25FRFOFS50H102 MZH

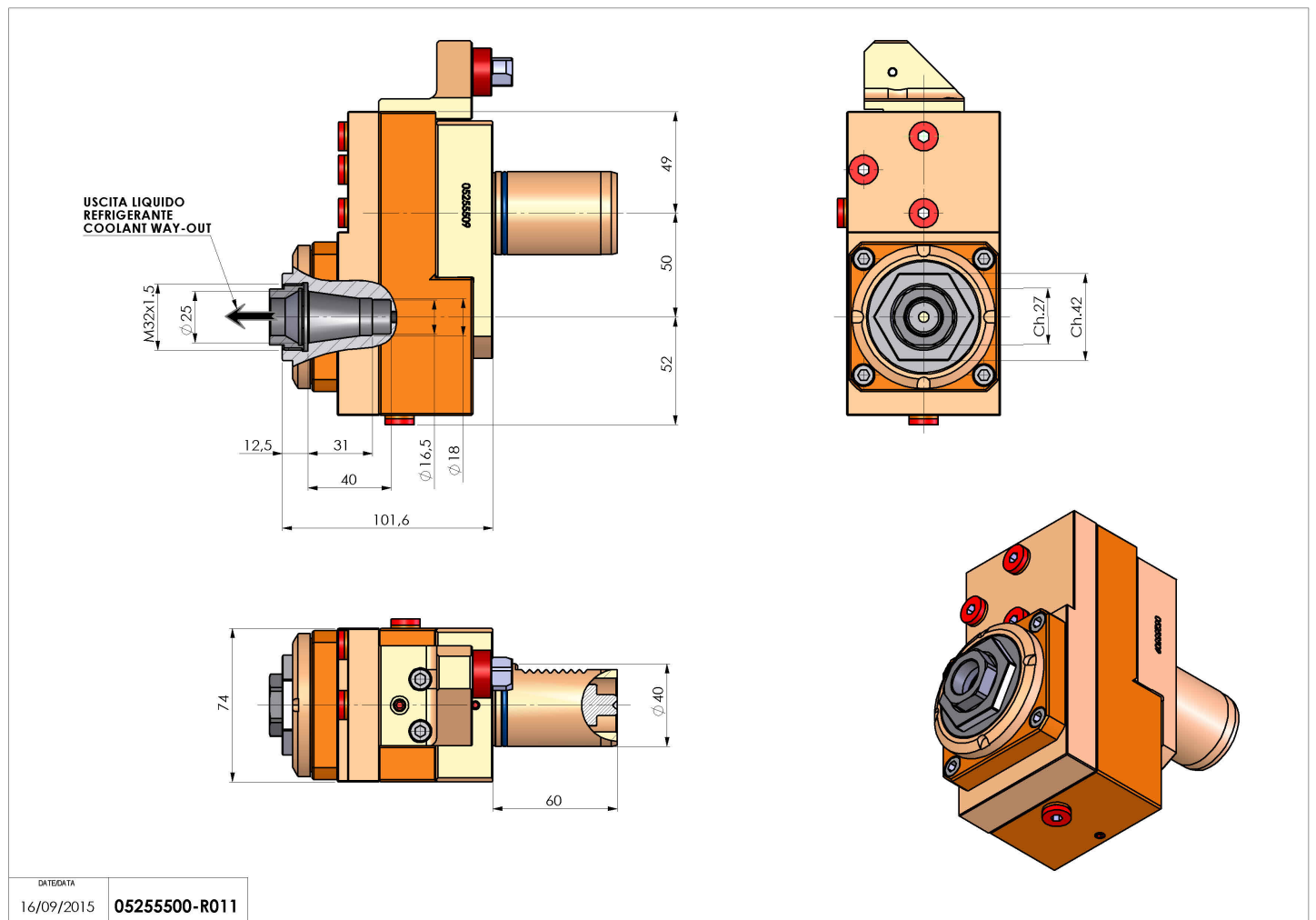
|                       |   |
|-----------------------|---|
| Type                  | LT-S OFS<br>Tool holder straight offset |
| Mounting              | VDI 40                                  |
| Tool output           | Collet nut ER 25 F - internal nut       |
| Coolant               | Internal coolant                        |
| Offset [mm]           | 50                                      |
| Direction of rotation | r1 ↻ r2 ↻                               |
| Max speed [rpm]       | 6000                                    |
| Max torque [Nm]       | 63                                      |
| Ratio                 | 1:1                                     |
| H [mm]                | 102                                     |
| Accessories           | N.A.                                    |
| Notes                 | N.A.                                    |



**Mounting tips** Not suitable for every application, please check

**ATTENZIONE: VERIFICARE L'ORIENTAMENTO DELLA DENTATURA VDI**

Always check live tool dimensions on the turret



DATE/ATA  
16/09/2015 05255500-R011

Subject to technical changes