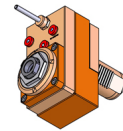


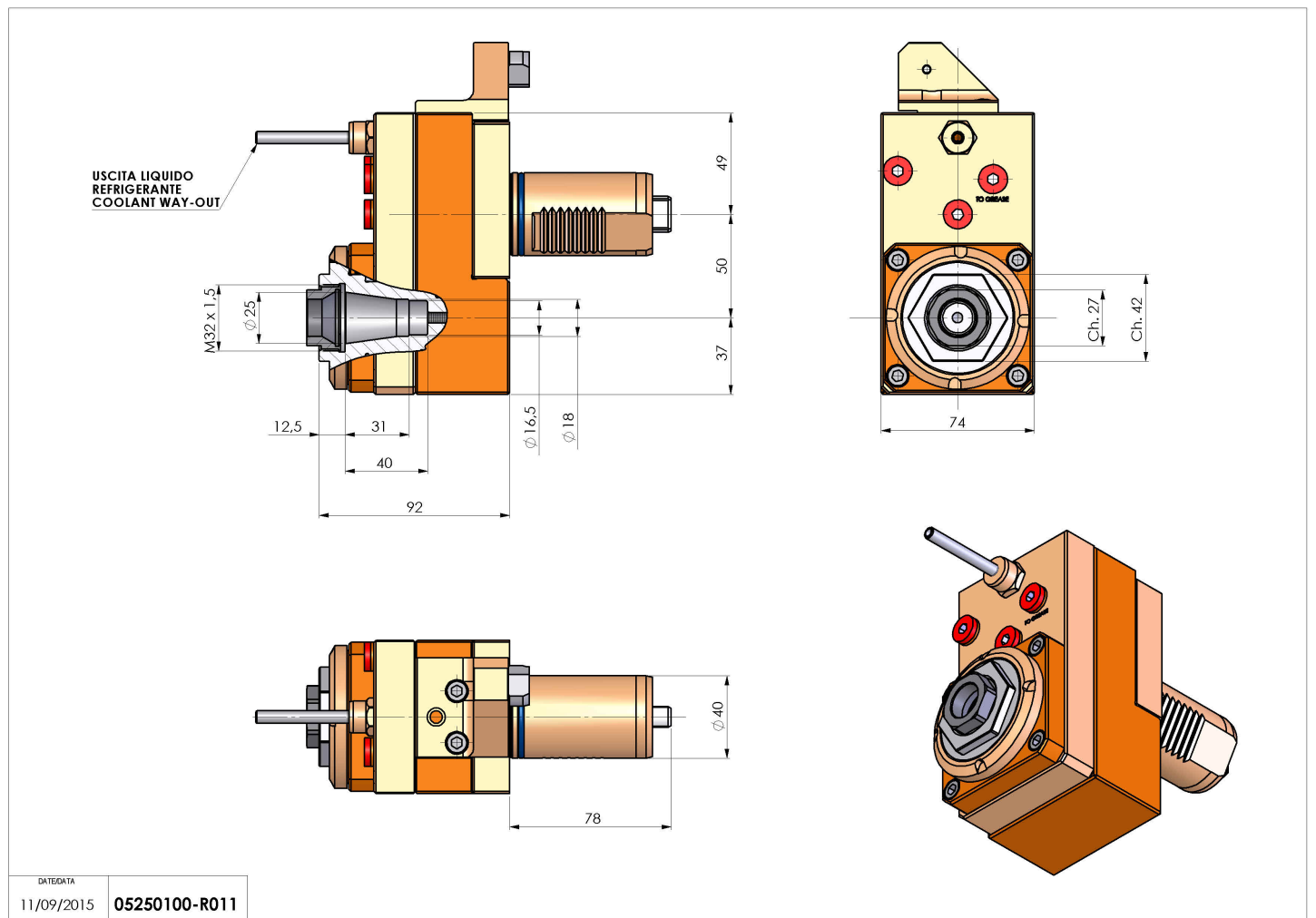
# 05250100 - LT-S VDI40 ER25F OFS50 H92 MZ

|                              |  |
|------------------------------|--|
| <b>Type</b>                  | LT-S OFS<br>Tool holder straight offset          |
| <b>Mounting</b>              | VDI 40   |
| <b>Tool output</b>           | Collet nut ER 25 F - internal nut                |
| <b>Coolant</b>               | External coolant                                 |
| <b>Offset [mm]</b>           | 50   |
| <b>Direction of rotation</b> | r1 ↻ r2 ↻  |
| <b>Max speed [rpm]</b>       | 6000   |
| <b>Max torque [Nm]</b>       | 63   |
| <b>Ratio</b>                 | 1:1  |
| <b>H [mm]</b>                | 92   |
| <b>Accessories</b>           | N.A.   |
| <b>Notes</b>                 | N.A.   |
| <b>Mounting tips</b>         | Not suitable for every application, please check |



**ATTENZIONE: VERIFICARE L'ORIENTAMENTO DELLA DENTATURA VDI**

Always check live tool dimensions on the turret



Subject to technical changes