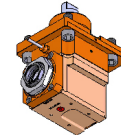
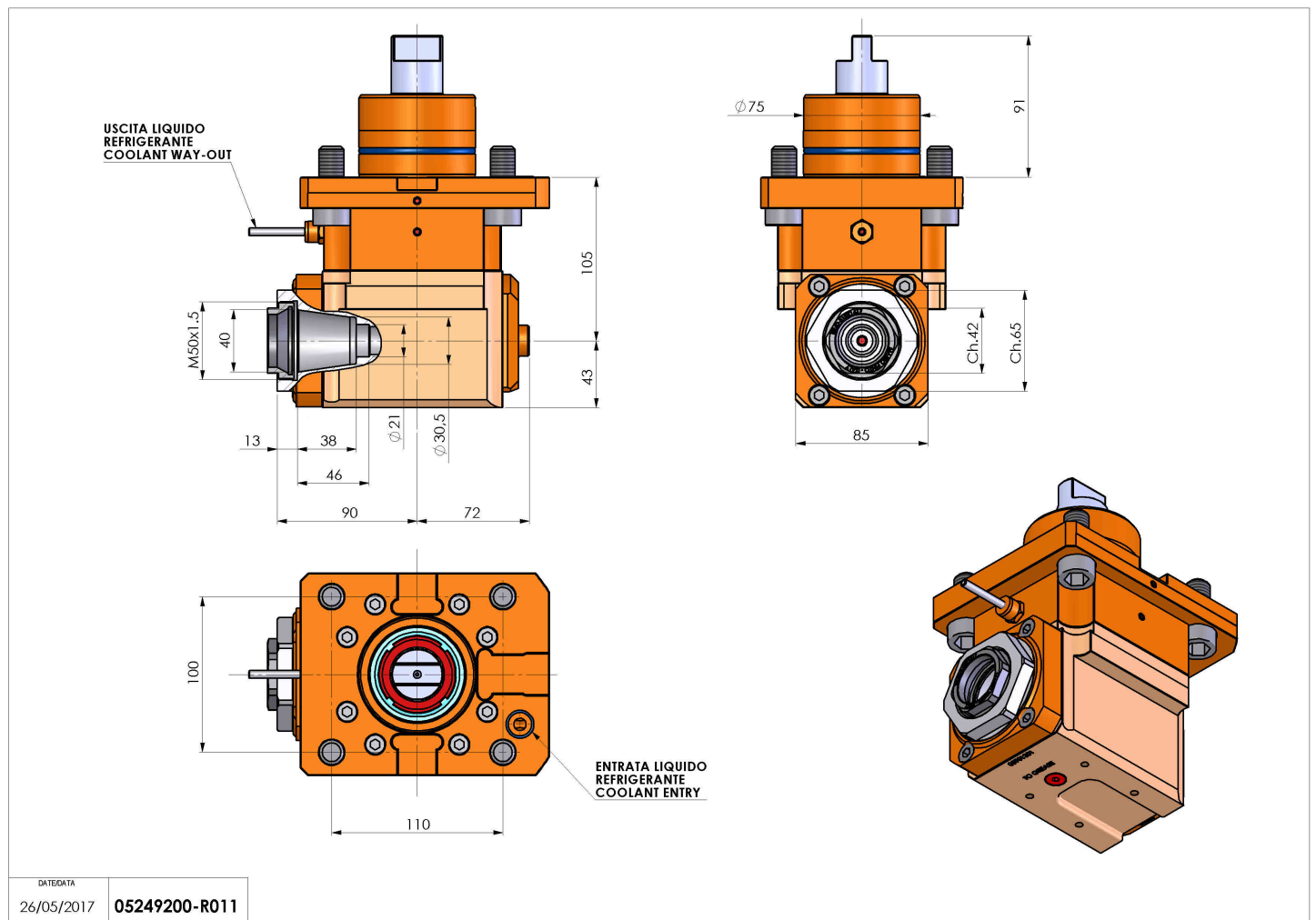


05249200 - LT-A D75 ER40F H105

| | |
|------------------------------|--|
| Type | LT-A Tool holder angle 90° |
| Mounting | CYLINDRICAL SHANK 75 |
| Tool output | Collet nut ER 40 F - internal nut |
| Coolant | External coolant |
| Direction of rotation | r1 ↻ r2 ↻ |
| Max speed [rpm] | 4000 |
| Max torque [Nm] | 80 |
| Ratio | 1:1 |
| H [mm] | 105 |
| H1 [mm] | 43 |
| Accessories | N.A. |
| Notes | N.A. |
| Mounting tips | Not suitable for every application, please check |



Always check live tool dimensions on the turret



DATE/DATE
26/05/2017 05249200-R011

Subject to technical changes