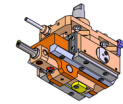
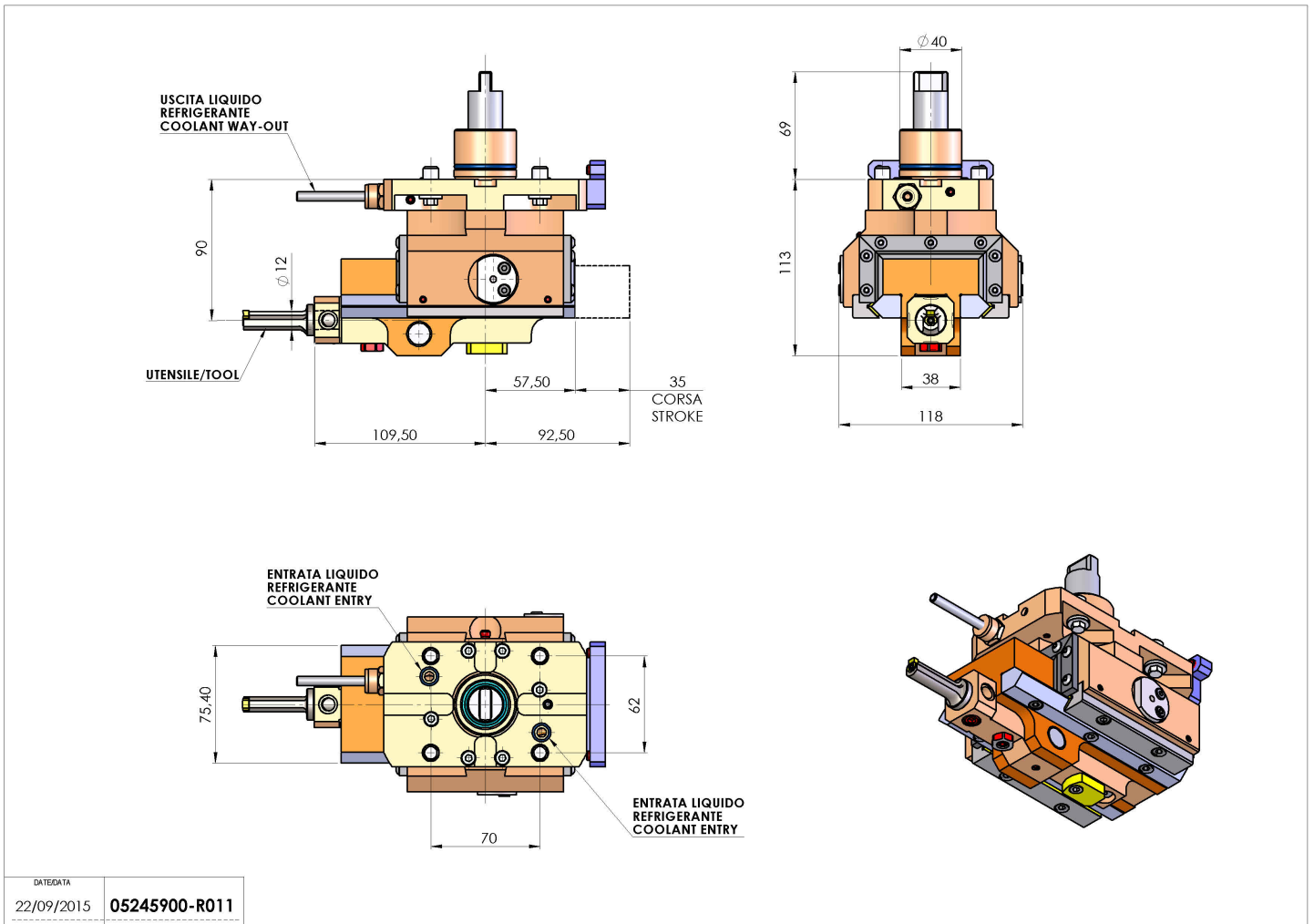


# 05245900 - LT-A ST35 D40 C12 H90 MS

|                          |  |
|--------------------------|--|
| <b>Type</b>              | LT-A ST<br>Slotting tool 90°                     |
| <b>Mounting</b>          | CYLINDRICAL SHANK 40                             |
| <b>Tool output</b>       | Tool diameter 12                                 |
| <b>Coolant</b>           | External coolant                                 |
| <b>Max speed [rpm]</b>   | 700  |
| <b>Max torque [Nm]</b>   | 17,5   |
| <b>Ratio</b>             | 1:1  |
| <b>Y axis adjustment</b> | NO   |
| <b>Feed pushing [N]</b>  | 1000   |
| <b>Stroke [mm]</b>       | 35   |
| <b>Work stroke [mm]</b>  | 30   |
| <b>H [mm]</b>            | 90   |
| <b>Accessories</b>       | N.A.   |
| <b>Notes</b>             | N.A.   |
| <b>Mounting tips</b>     | Not suitable for every application, please check |



Always check live tool dimensions on the turret



|           |            |               |
|-----------|------------|---------------|
| DATE/DATE | 22/09/2015 | 05245900-R011 |
|-----------|------------|---------------|

Subject to technical changes