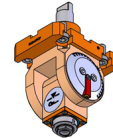
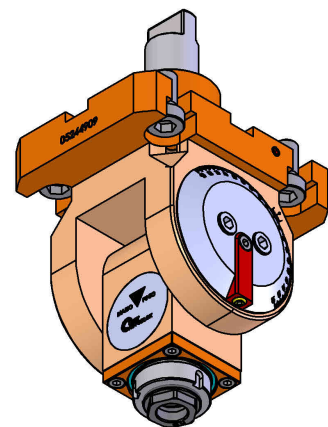
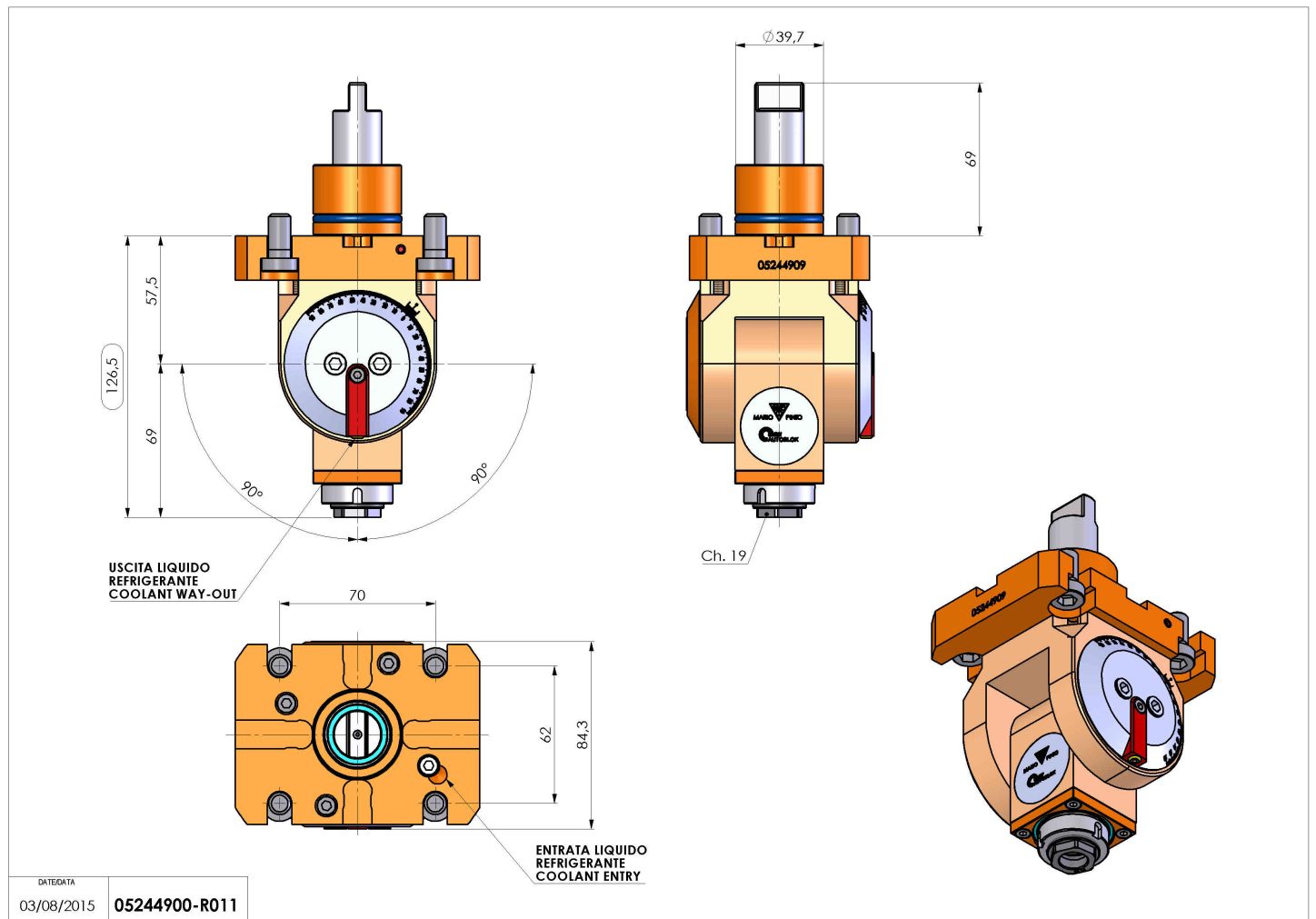


05244900 - LT-T D40 ER16F LR H57.5-126 MS

Type	LT-T Tool holder tiltable
Mounting	CYLINDRICAL SHANK 40
Tool output	Collet nut ER 16 F - internal nut
Coolant	External coolant
Direction of rotation	r1 ↻ r2 ↻
Max speed [rpm]	6000
Max torque [Nm]	10
Ratio	1:1
H [mm]	57,5-126,5
Accessories	N.A.
Notes	N.A.
Mounting tips	Not suitable for every application, please check



Always check live tool dimensions on the turret



Subject to technical changes

DATE DATA
03/08/2015 05244900-R011