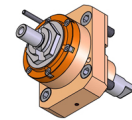
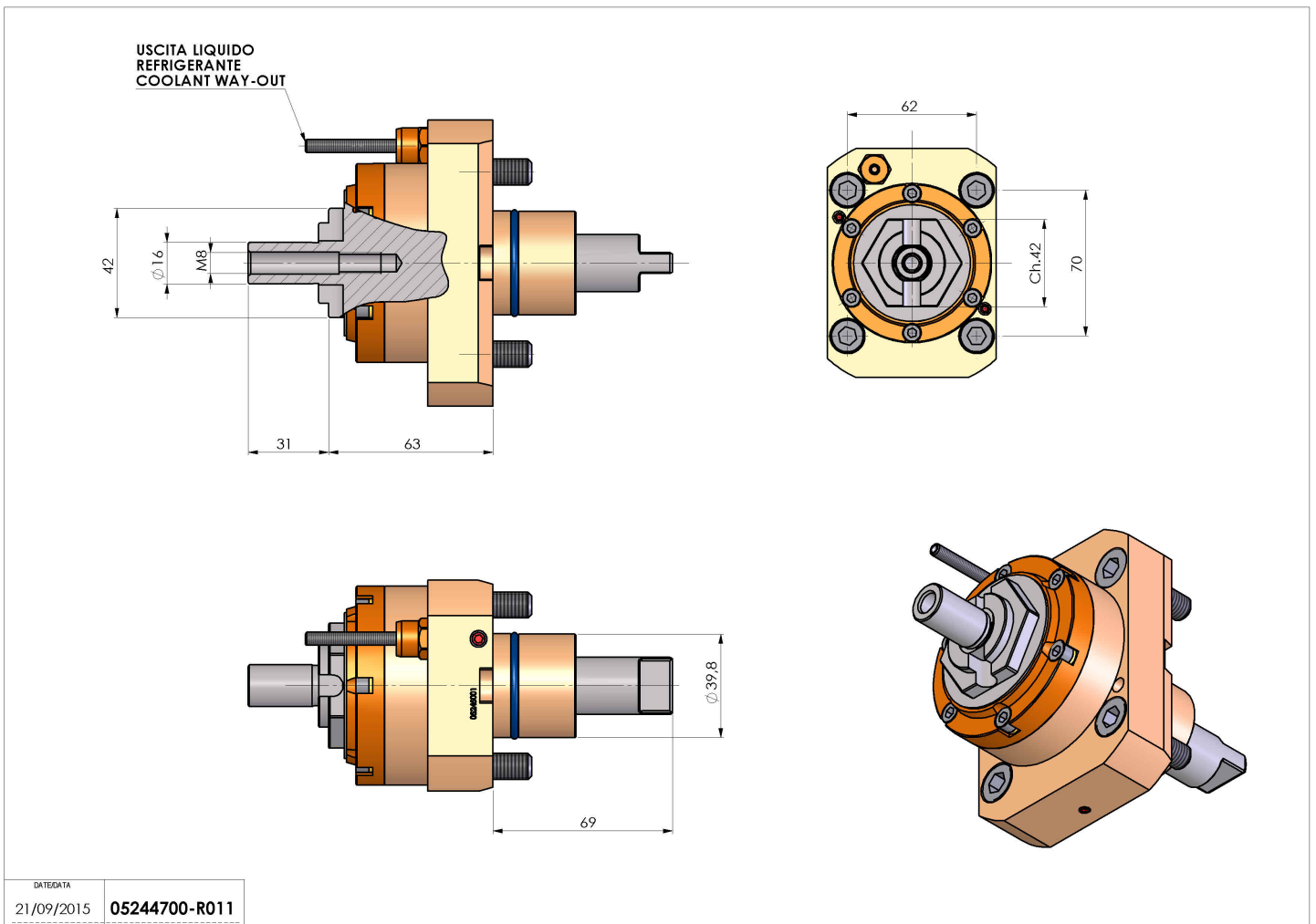


## 05244700 - LT-S D40 DIN138-16 HS H67

<b>Type</b>	LT-S Tool holder straight
<b>Mounting</b>	CYLINDRICAL SHANK 40
<b>Tool output</b>	Shell-Mill DIN138 16
<b>Coolant</b>	External coolant
<b>Direction of rotation</b>	r1  r2
<b>Max speed [rpm]</b>	12000
<b>Max torque [Nm]</b>	40
<b>Ratio</b>	1:1
<b>H [mm]</b>	67
<b>Accessories</b>	
<b>Notes</b>	N.A.
<b>Mounting tips</b>	Not suitable for every application, please check



Always check live tool dimensions on the turret



DATE/DATE	21/09/2015
PART NUMBER	05244700-R011

**Subject to technical changes**