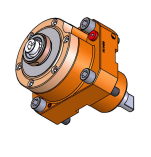
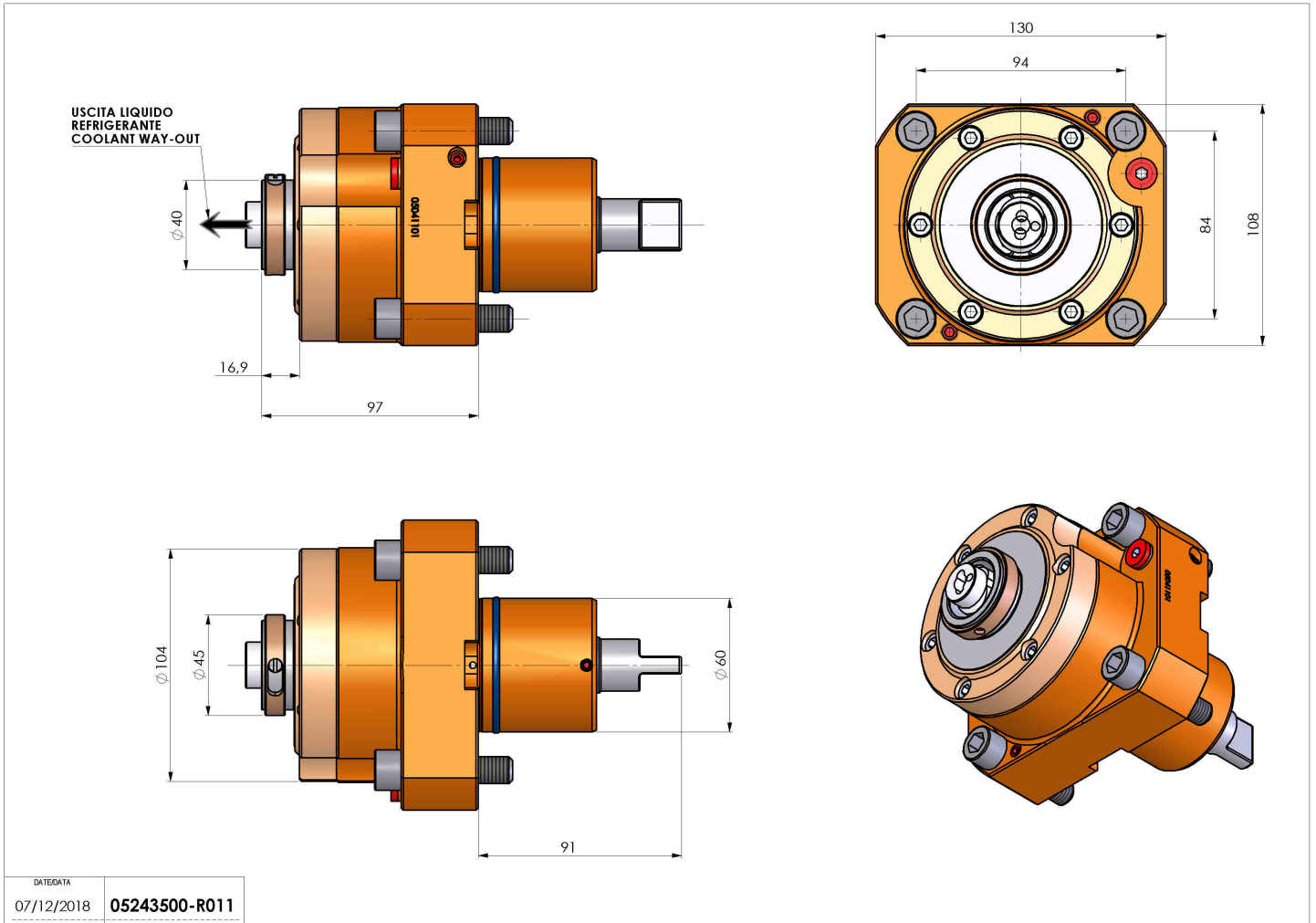


05243500 - LT-S D60 HSK-40 RF HS H97

Type	LT-S Tool holder straight
Mounting	CYLINDRICAL SHANK 60
Tool output	Quick Change HSK40
Coolant	Internal coolant
Direction of rotation	r1 ↻ r2 ↻
Max speed [rpm]	10000
Max torque [Nm]	63
Ratio	1:1
H [mm]	97
Accessories	
Notes	N.A.
Mounting tips	Not suitable for every application, please check



Always check live tool dimensions on the turret



DATE/DATE: 07/12/2018
05243500-R011

Subject to technical changes