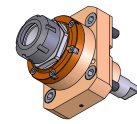
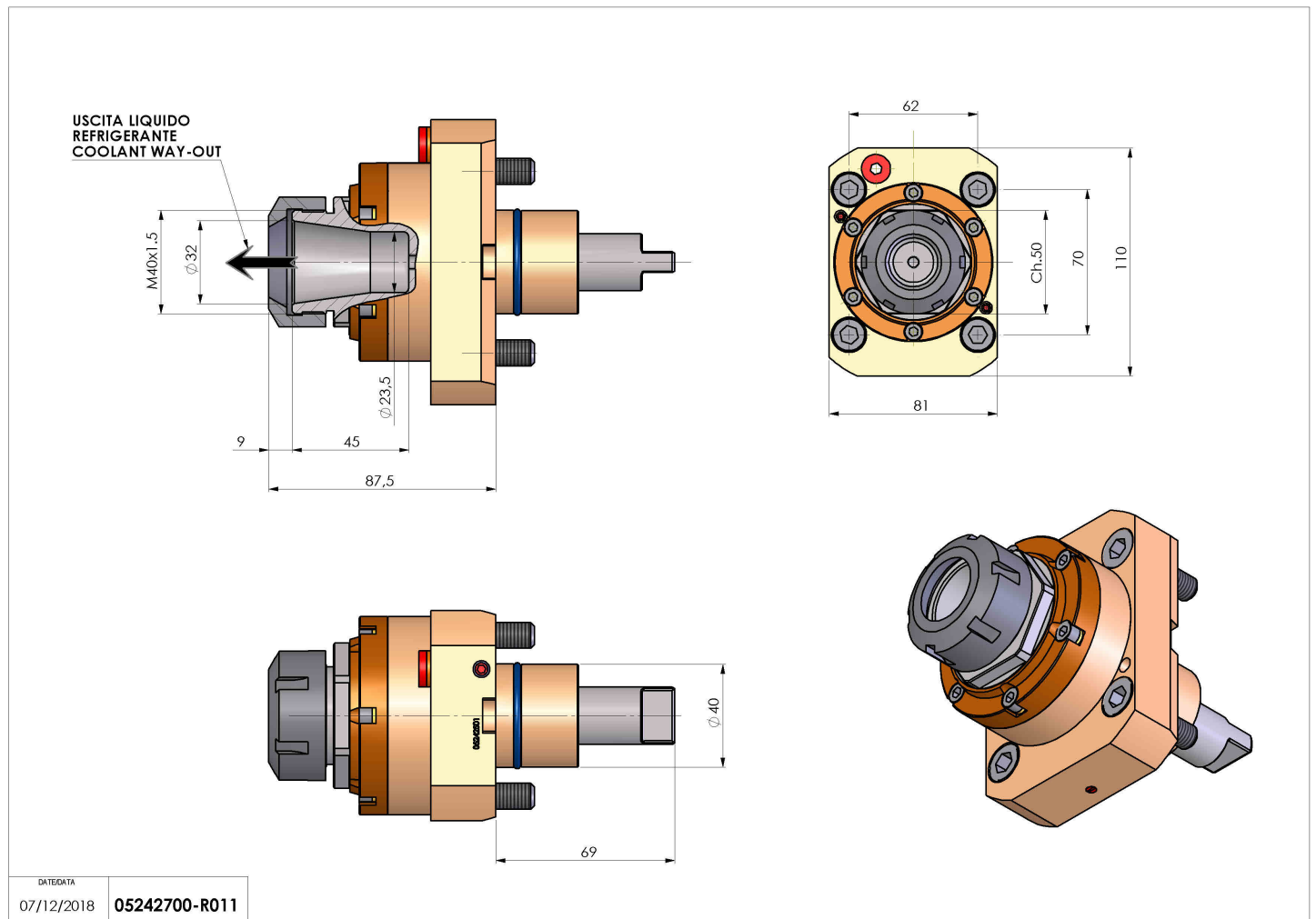


05242700 - LT-S D40 ER32 RF HS H87

| | |
|------------------------------|--|
| Type | LT-S Tool holder straight |
| Mounting | CYLINDRICAL SHANK 40 |
| Tool output | Collet nut ER 32 |
| Coolant | Internal coolant |
| Direction of rotation | r1 ↻ r2 ↻ |
| Max speed [rpm] | 12000 |
| Max torque [Nm] | 40 |
| Ratio | 1:1 |
| H [mm] | 87 |
| Accessories | N.A. |
| Notes | N.A. |
| Mounting tips | Not suitable for every application, please check |



Always check live tool dimensions on the turret



Subject to technical changes