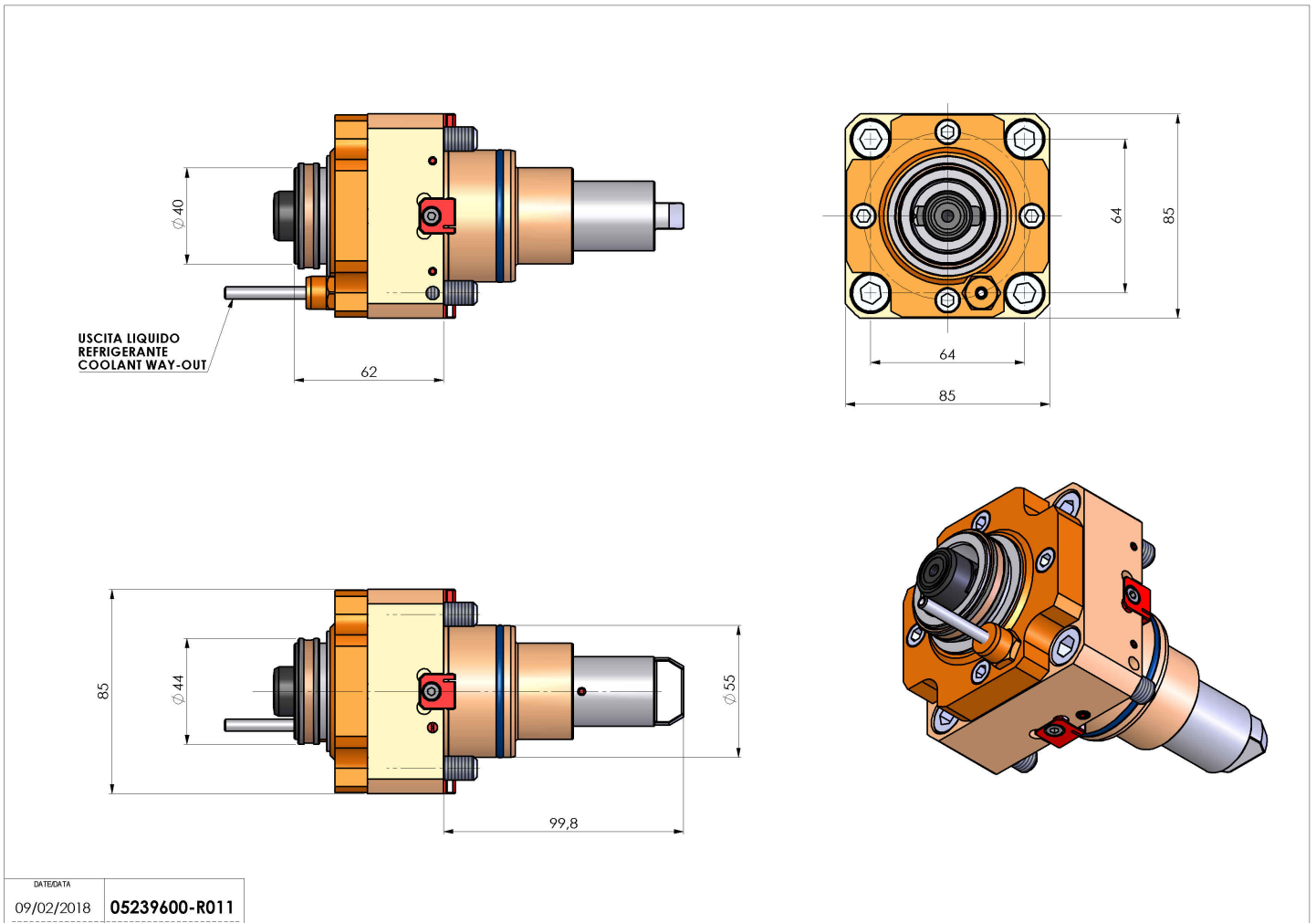


05239600 - LT-S BMT55EM4 HSK40 H62

Type	LT-S Tool holder straight
Mounting	BMT 55 EM
Tool output	Quick Change HSK40
Coolant	External coolant
Direction of rotation	r1 ↻ r2 ↻ x
Max speed [rpm]	6000
Max torque [Nm]	60
Ratio	1:1
H [mm]	62
Accessories	N.A.
Notes	N.A.
Mounting tips	Not suitable for every application, please check

Always check live tool dimensions on the turret



DATE/DATE 09/02/2018 05239600-R011

Subject to technical changes