
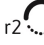
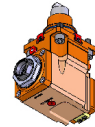
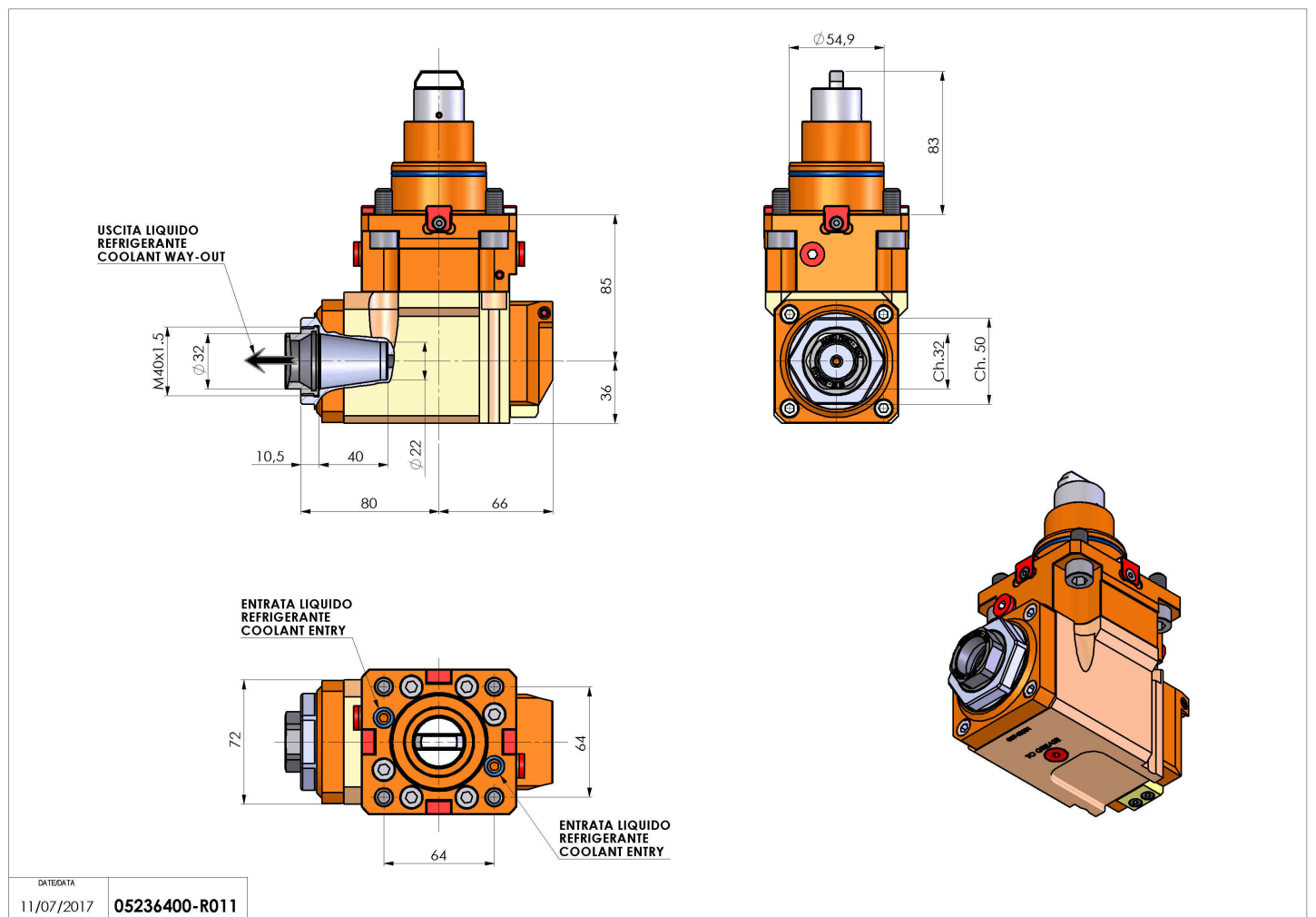


05236400 - LT-A BMT55EM ER32F LR HRF H85

| | |
|-----------------------|---|
| Type | LT-A Tool holder angle 90° |
| Mounting | BMT 55 EM |
| Tool output | Collet nut ER 32 F - internal nut |
| Coolant | HP Internal coolant |
| Direction of rotation | r1  r2  |
| Max speed [rpm] | 6000 |
| Max torque [Nm] | 60 |
| Ratio | 1:1 |
| H [mm] | 85 |
| H1 [mm] | 36 |
| Max pressure [bar] | 80 |
| Accessories | N.A. |
| Notes | N.A. |
| Mounting tips | Not suitable for every application, please check |



Always check live tool dimensions on the turret



| | | |
|-----------|------------|---------------|
| DATE/DATE | 11/07/2017 | 05236400-R011 |
|-----------|------------|---------------|

Subject to technical changes