

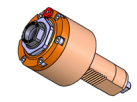


# 05231700 - LT-S VDI40 ER32F RF H74 EM

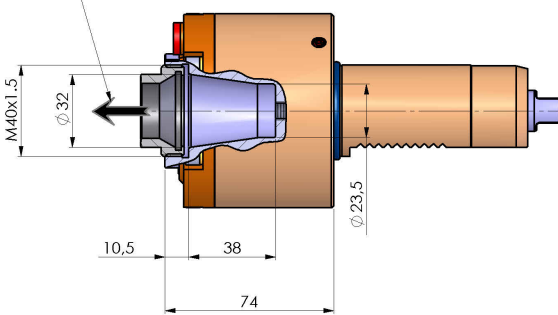
<b>Type</b>	LT-S Tool holder straight
<b>Mounting</b>	VDI 40
<b>Tool output</b>	Collet nut ER 32 F - internal nut
<b>Coolant</b>	Internal coolant
<b>Direction of rotation</b>	r1  r2 
<b>Max speed [rpm]</b>	6000
<b>Max torque [Nm]</b>	63
<b>Ratio</b>	1:1
<b>H [mm]</b>	74
<b>Accessories</b>	
<b>Notes</b>	N.A.
<b>Mounting tips</b>	Not suitable for every application, please check

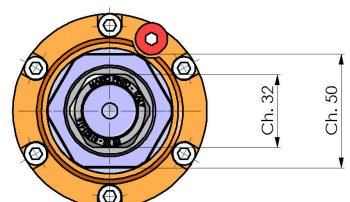


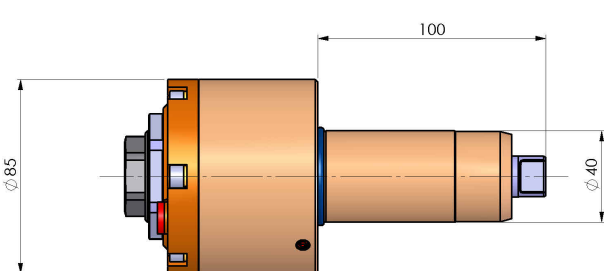
**ATTENZIONE: VERIFICARE L'ORIENTAMENTO DELLA DENTATURA VDI**

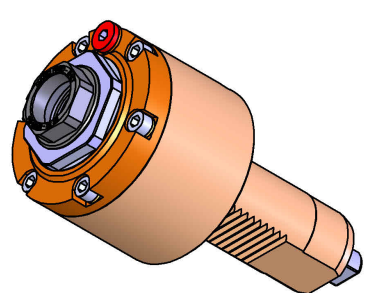
Always check live tool dimensions on the turret

USCITA LIQUIDO REFRIGERANTE  
COOLANT WAY-OUT









DATE/ATA	05231700-R011
23/10/2015	

**Subject to technical changes**