

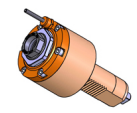


05231600 - LT-S VDI40 ER32F H74 EM

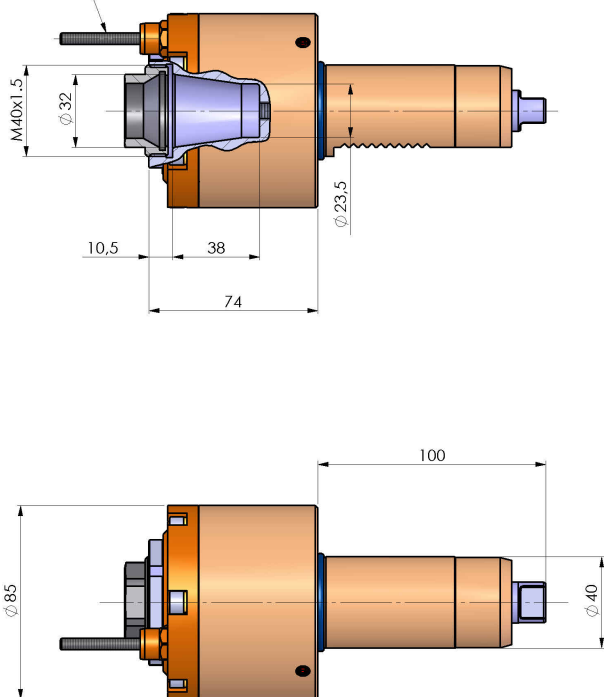
Type	LT-S Tool holder straight
Mounting	VDI 40
Tool output	Collet nut ER 32 F - internal nut
Coolant	External coolant
Direction of rotation	r1  r2 
Max speed [rpm]	6000
Max torque [Nm]	63
Ratio	1:1
H [mm]	74
Accessories	
Notes	N.A.
Mounting tips	Not suitable for every application, please check

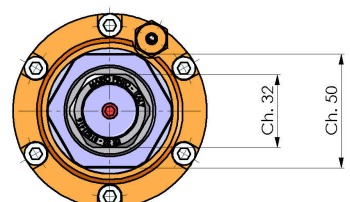


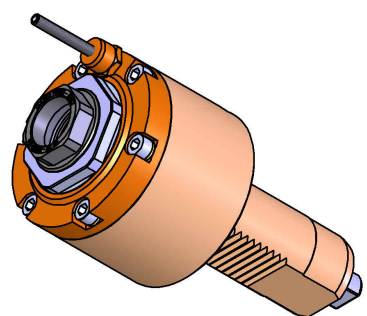
ATTENZIONE: VERIFICARE L'ORIENTAMENTO DELLA DENTATURA VDI

Always check live tool dimensions on the turret

USCITA LIQUIDO
REFRIGERANTE
COOLANT WAY-OUT







DATE/ATA	05231600-R011
23/10/2015	

Subject to technical changes