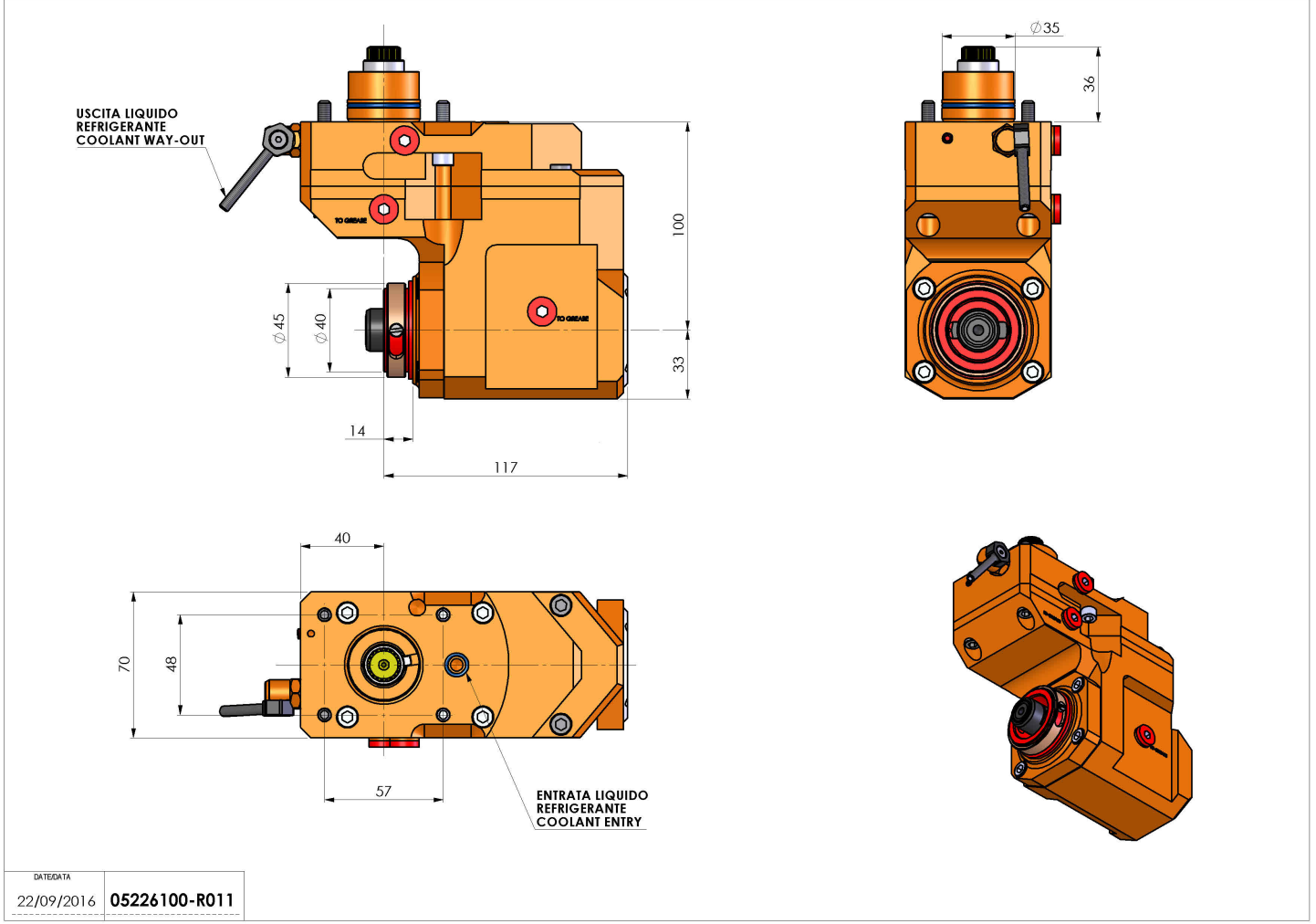


05226100 - LT-A D35HSK40H100 OFS-0-5480SA

Type	LT-A OFS Tool holder offset angle 90°
Mounting	CYLINDRICAL SHANK 35
Tool output	Quick Change HSK40
Coolant	External coolant
Direction of rotation	r1 r2
Max speed [rpm]	6000
Max torque [Nm]	30
Ratio	1:1
H [mm]	100
H1 [mm]	33
Accessories	N.A.
Notes	N.A.
Mounting tips	Not suitable for every application, please check



Always check live tool dimensions on the turret



DATE/DATE	22/09/2016	05226100-R011
-----------	------------	---------------

Subject to technical changes