
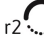
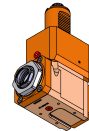


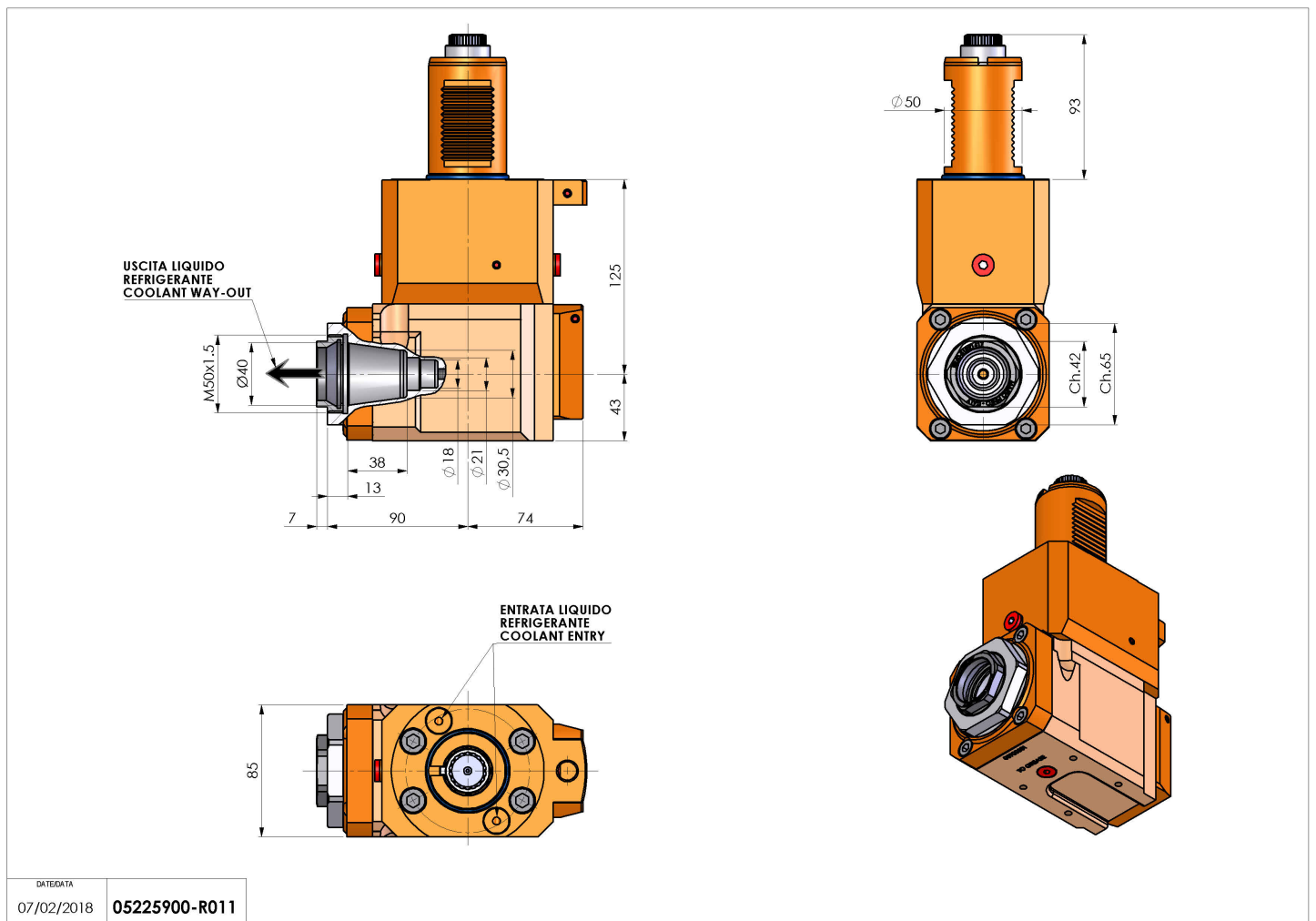
05225900 - LT-A VDI50ER40F RF LRH125 5480

| | |
|-----------------------|---|
| Type | LT-A Tool holder angle 90° |
| Mounting | VDI 50 |
| Tool output | Collet nut ER 40 F - internal nut |
| Coolant | Internal coolant |
| Direction of rotation | r1  r2  |
| Max speed [rpm] | 6000 |
| Max torque [Nm] | 63 |
| Ratio | 1:1 |
| H [mm] | 125 |
| H1 [mm] | 43 |
| Accessories | N.A. |
| Notes | N.A. |
| Mounting tips | Not suitable for every application, please check |



ATTENZIONE: VERIFICARE L'ORIENTAMENTO DELLA DENTATURA VDI

Always check live tool dimensions on the turret



| | | |
|----------|------------|---------------|
| DATE/ATA | 07/02/2018 | 05225900-R011 |
|----------|------------|---------------|

Subject to technical changes