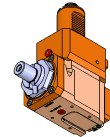


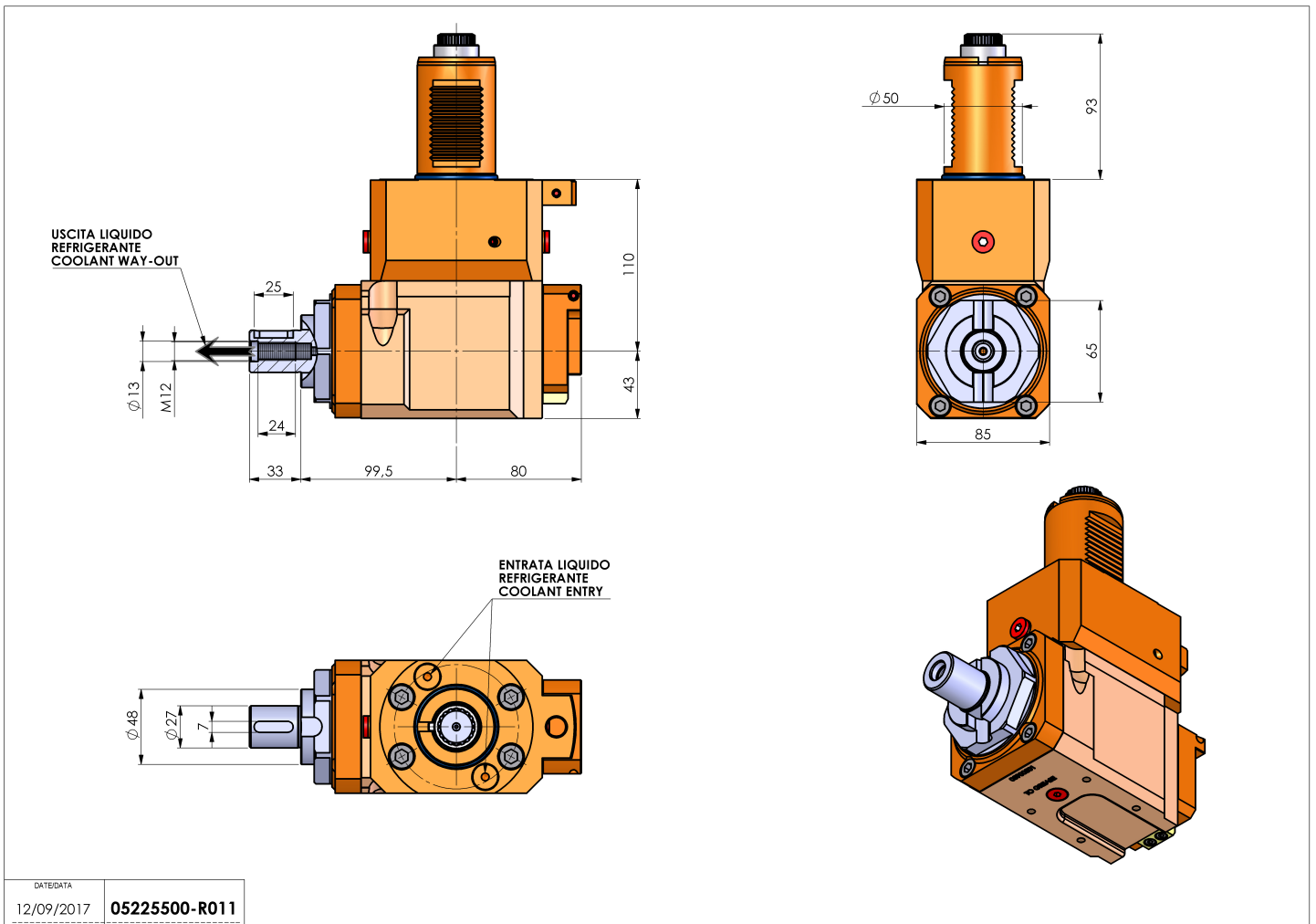
05225500 - LT-AVDI50138-27LRHRFHS1005480

Type	LT-A Tool holder angle 90°
Mounting	VDI 50
Tool output	Shell-Mill DIN138 27
Coolant	HP Internal coolant
Direction of rotation	r1 ↻ r2 ↻
Max speed [rpm]	10000
Max torque [Nm]	63
Ratio	1:1
H [mm]	110
H1 [mm]	43
Max pressure [bar]	80
Accessories	N.A.
Notes	N.A.
Mounting tips	Not suitable for every application, please check



ATTENZIONE: VERIFICARE L'ORIENTAMENTO DELLA DENTATURA VDI

Always check live tool dimensions on the turret



Subject to technical changes