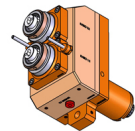


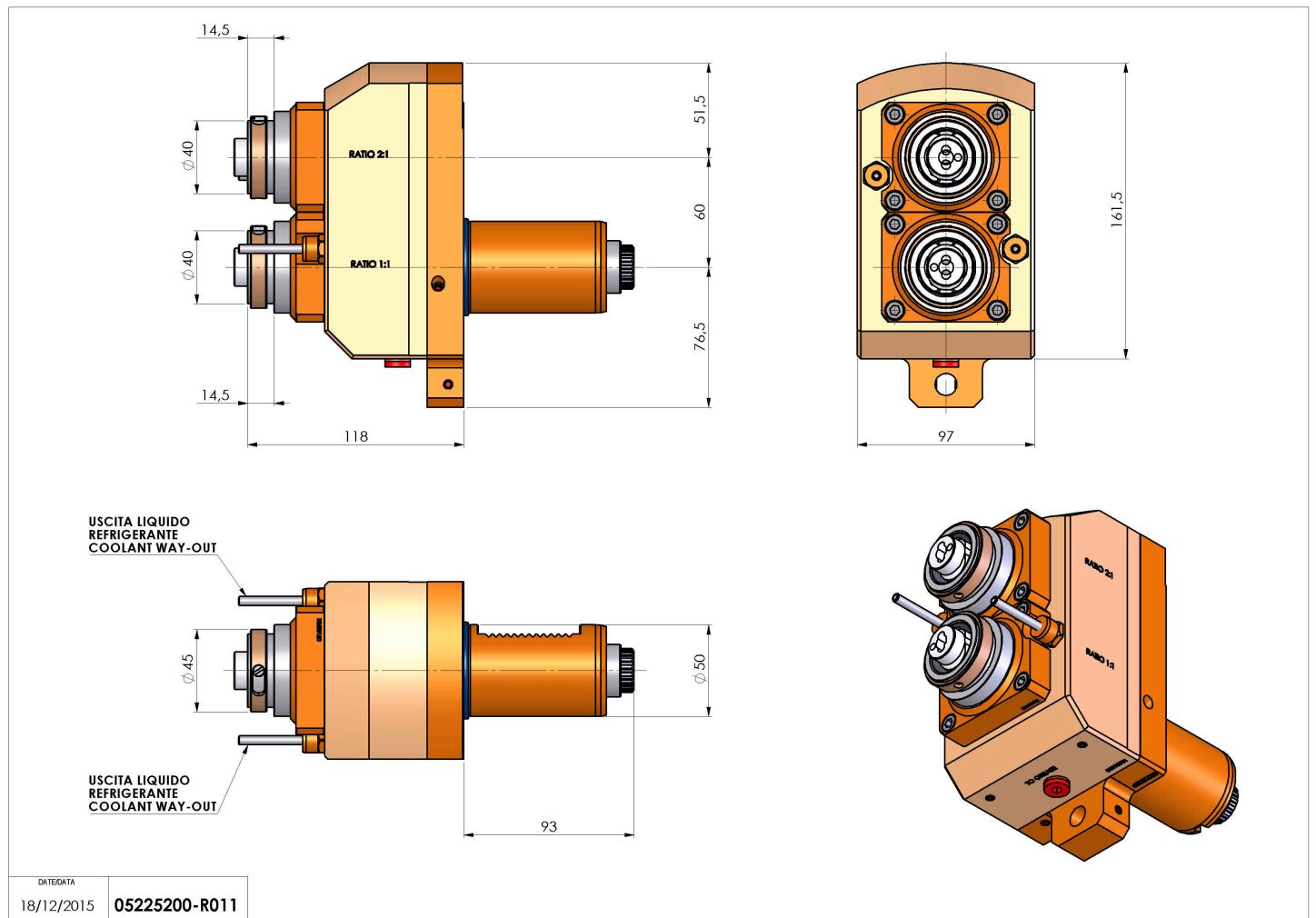
05225200 - LT-S2R VDI50 HSK40 I60 H118

Type	LT-S2 Tool holder double straight
Mounting	VDI 50
Tool output	Quick Change HSK40
Coolant	External coolant
Direction of rotation	r1 ↻ r2 ↻ r3 ↻
Max speed [rpm]	in r1=6000 / out r2=6000 r3=3000
Max torque [Nm]	in r1=60 / out r2=60 r3=120
Ratio	1:1 / 2:1
H [mm]	118
Accessories	N.A.
Notes	N.A.
Mounting tips	Not suitable for every application, please check



ATTENZIONE: VERIFICARE L'ORIENTAMENTO DELLA DENTATURA VDI

Always check live tool dimensions on the turret



Subject to technical changes

DATE/GATE
18/12/2015 05225200-R011