

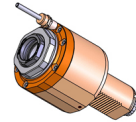


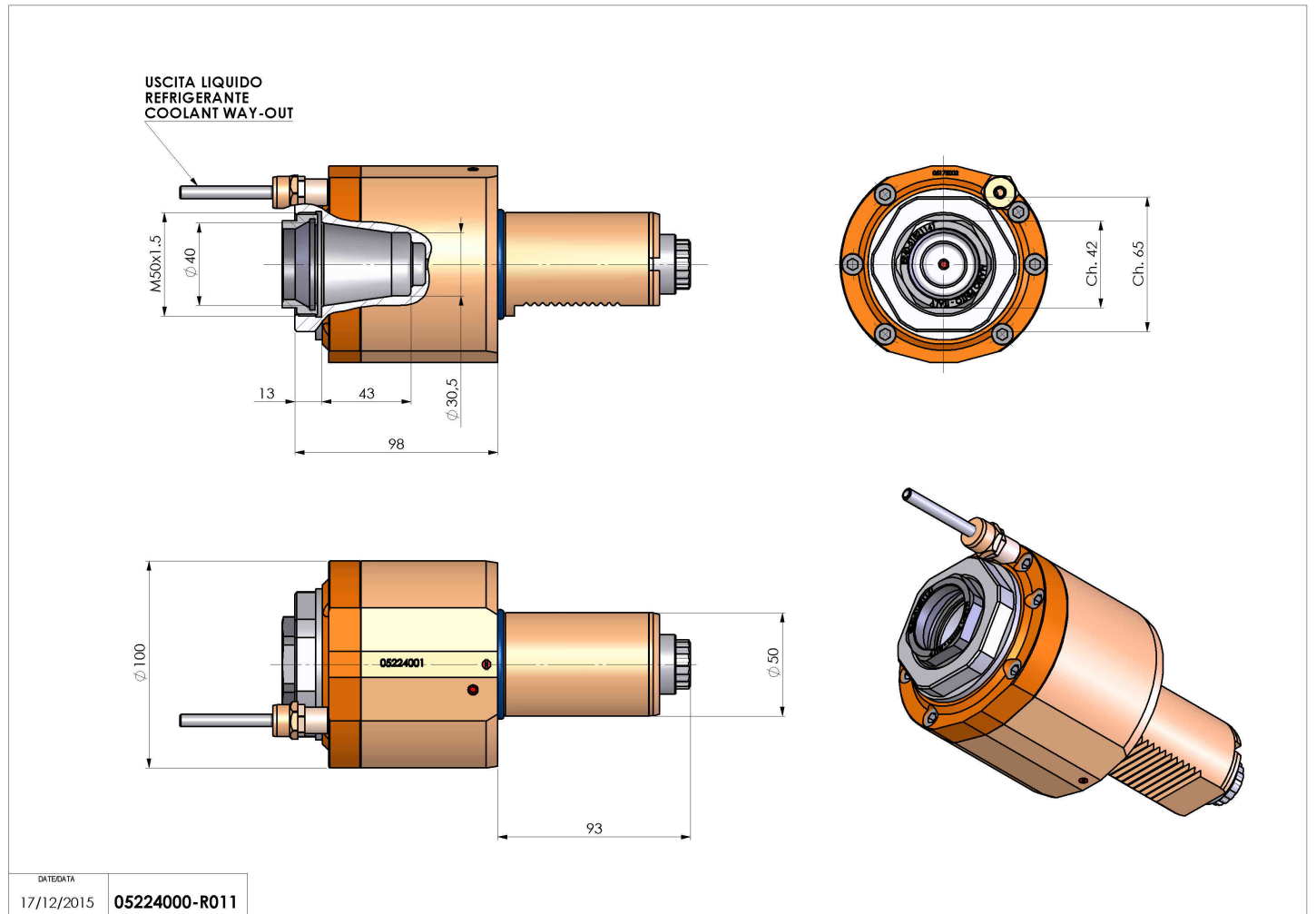
## 05224000 - LT-S VDI50 ER40F H100 5480 SA

|                              |   |
|------------------------------|---|
| <b>Type</b>                  | LT-S<br>Tool holder straight  |
| <b>Mounting</b>              | VDI 50  |
| <b>Tool output</b>           | Collet nut ER 40 F - internal nut   |
| <b>Coolant</b>               | External coolant  |
| <b>Direction of rotation</b> | r1  r2  |
| <b>Max speed [rpm]</b>       | 6000  |
| <b>Max torque [Nm]</b>       | 120   |
| <b>Ratio</b>                 | 1:1   |
| <b>H [mm]</b>                | 98  |
| <b>Accessories</b>           |   |
| <b>Notes</b>                 | N.A.  |
| <b>Mounting tips</b>         | Not suitable for every application, please check  |



**ATTENZIONE: VERIFICARE L'ORIENTAMENTO DELLA DENTATURA VDI**

Always check live tool dimensions on the turret



Subject to technical changes