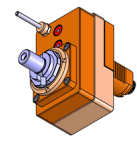


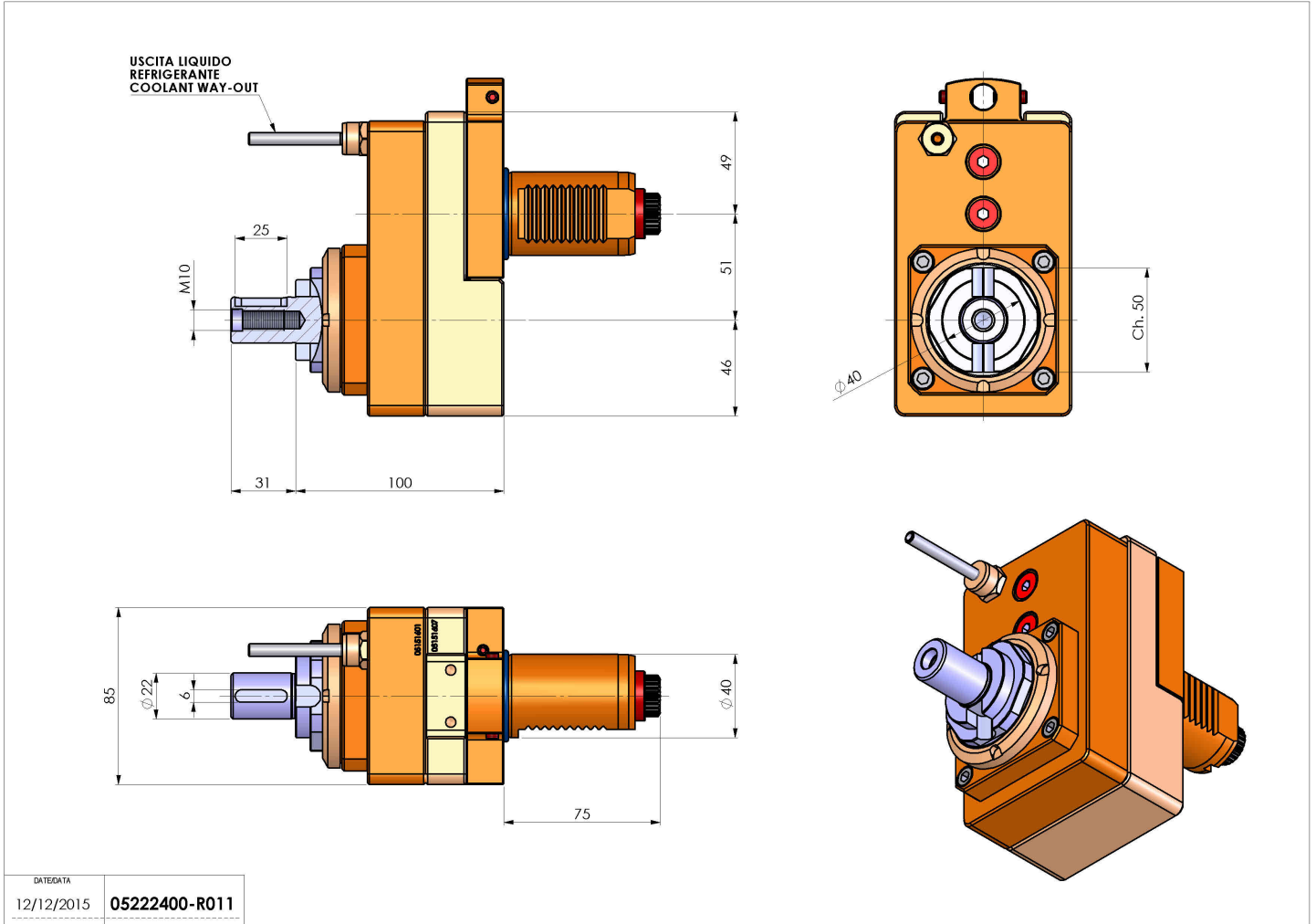
05222400 - LT-S VDI40 DIN22OFS2:1R H100SA

Type	LT-S OFS Tool holder straight offset
Mounting	VDI 40
Tool output	Shell-Mill DIN138 22
Coolant	External coolant
Offset [mm]	51
Direction of rotation	r1 r2
Max speed [rpm]	in 4000 / out 2000
Max torque [Nm]	in 60 / out 120
Ratio	2:1
H [mm]	100
Accessories	N.A.
Notes	N.A.
Mounting tips	Not suitable for every application, please check



ATTENZIONE: VERIFICARE L'ORIENTAMENTO DELLA DENTATURA VDI

Always check live tool dimensions on the turret



DATE/DATE	12/12/2015	05222400-R011
-----------	------------	---------------

Subject to technical changes