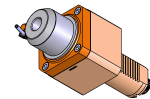


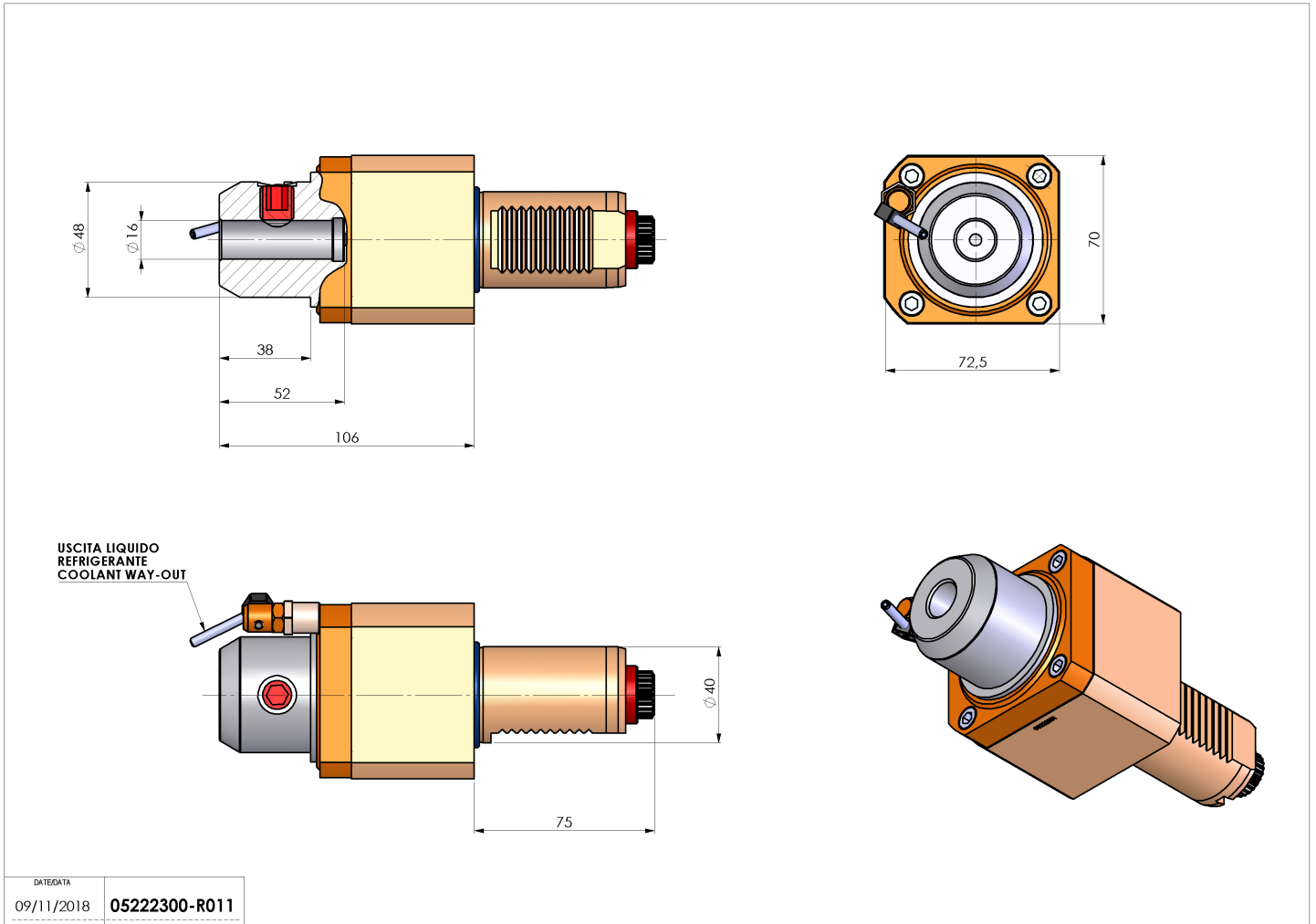
05222300 - LT-S VDI40 WELDON16 H106 5480

Type	LT-S Tool holder straight
Mounting	VDI 40
Tool output	Weldon 16 DIN1835B
Coolant	External coolant
Direction of rotation	r1 r2
Max speed [rpm]	6000
Max torque [Nm]	63
Ratio	1:1
H [mm]	108
Accessories	
Notes	N.A.
Mounting tips	Not suitable for every application, please check



ATTENZIONE: VERIFICARE L'ORIENTAMENTO DELLA DENTATURA VDI

Always check live tool dimensions on the turret



DATE/DATE	09/11/2018
PART NUMBER	05222300-R011

Subject to technical changes