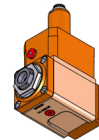


05220700 - LT-A VDI30 ER25F RF H85 5480SA

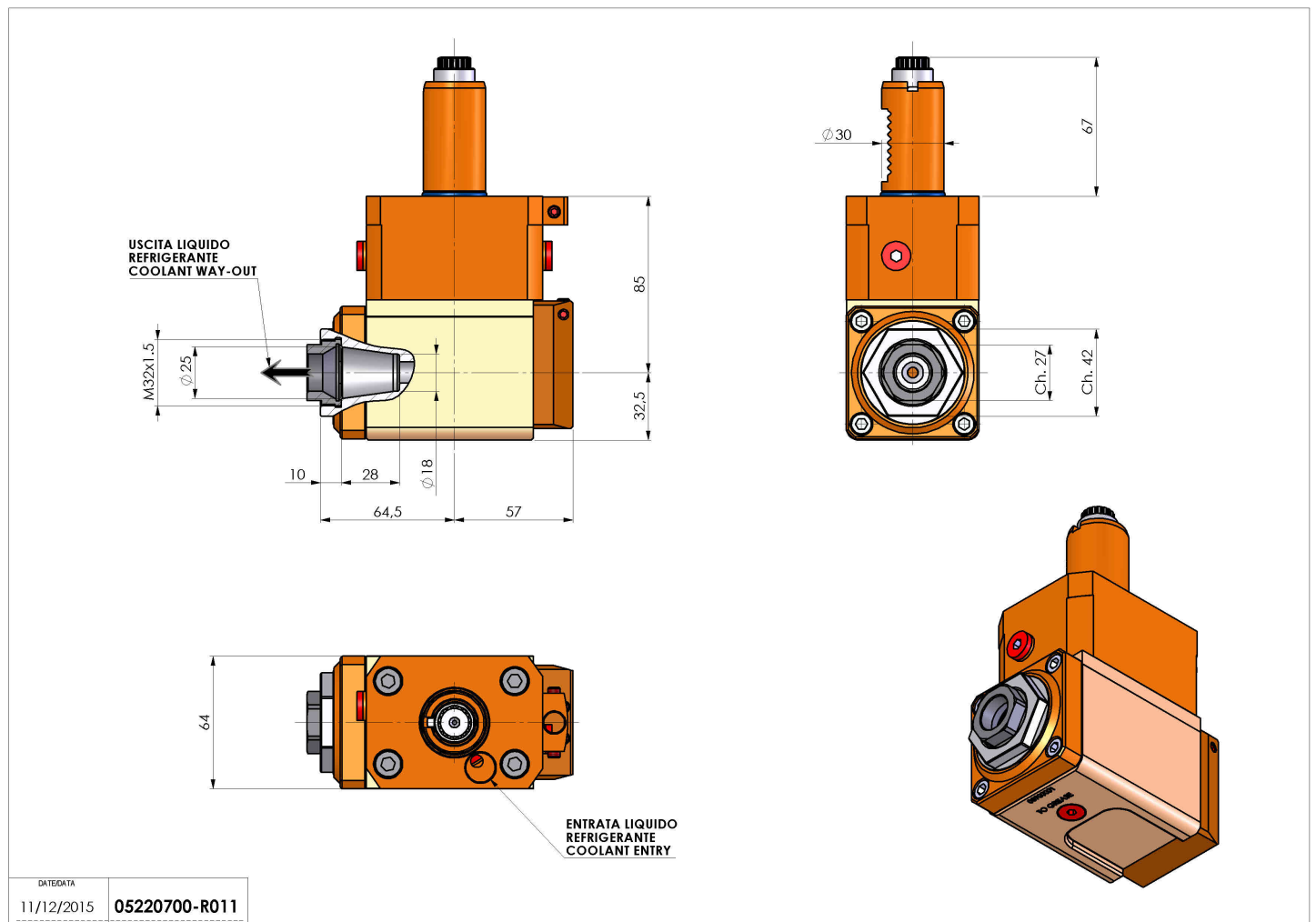
| | |
|------------------------------|-----------------------------------|
| Type | LT-A Tool holder angle 90° |
| Mounting | VDI 30 |
| Tool output | Collet nut ER 25 F - internal nut |
| Coolant | Internal coolant |
| Direction of rotation | r1 r2 |
| Max speed [rpm] | 6000 |
| Max torque [Nm] | 30 |
| Ratio | 1:1 |
| H [mm] | 85 |
| H1 [mm] | 32,5 |
| Accessories | N.A. |
| Notes | N.A. |



Mounting tips Not suitable for every application, please check

ATTENZIONE: VERIFICARE L'ORIENTAMENTO DELLA DENTATURA VDI

Always check live tool dimensions on the turret



| | |
|-------------|---------------|
| DATE/GATA | 11/12/2015 |
| PART NUMBER | 05220700-R011 |

Subject to technical changes