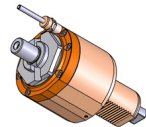


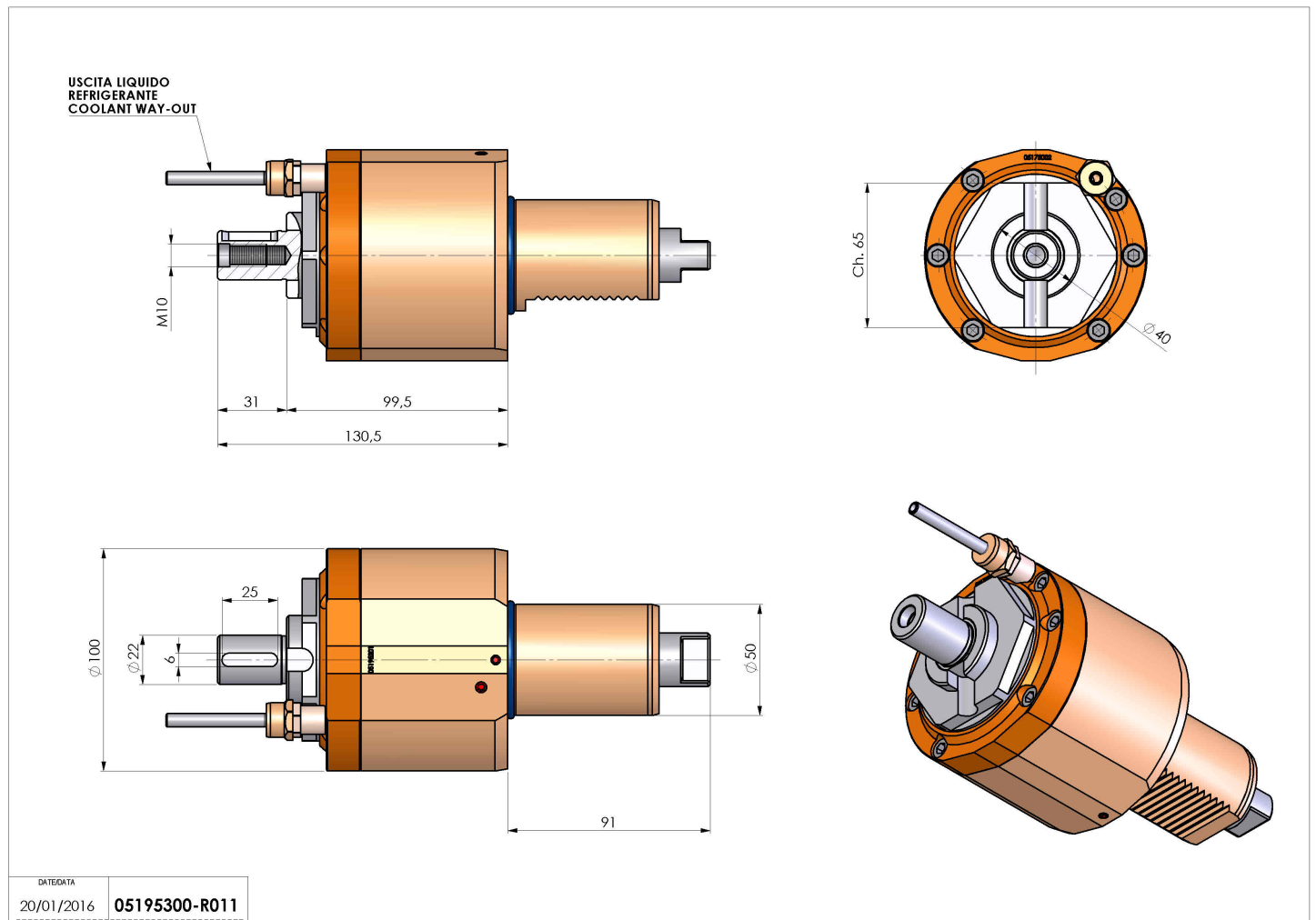
05195300 - LT-S VDI50 DIN138-22 1809 DP

| | |
|------------------------------|--------------------------------------------------|
| Type | LT-S Tool holder straight |
| Mounting | VDI 50 |
| Tool output | Shell-Mill DIN138 22 |
| Coolant | External coolant |
| Direction of rotation | r1 r2 |
| Max speed [rpm] | 6000 |
| Max torque [Nm] | 80 |
| Ratio | 1:1 |
| H [mm] | 99,5 |
| Accessories | |
| Notes | N.A. |
| Mounting tips | Not suitable for every application, please check |



ATTENZIONE: VERIFICARE L'ORIENTAMENTO DELLA DENTATURA VDI

Always check live tool dimensions on the turret



Subject to technical changes