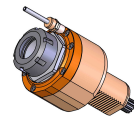


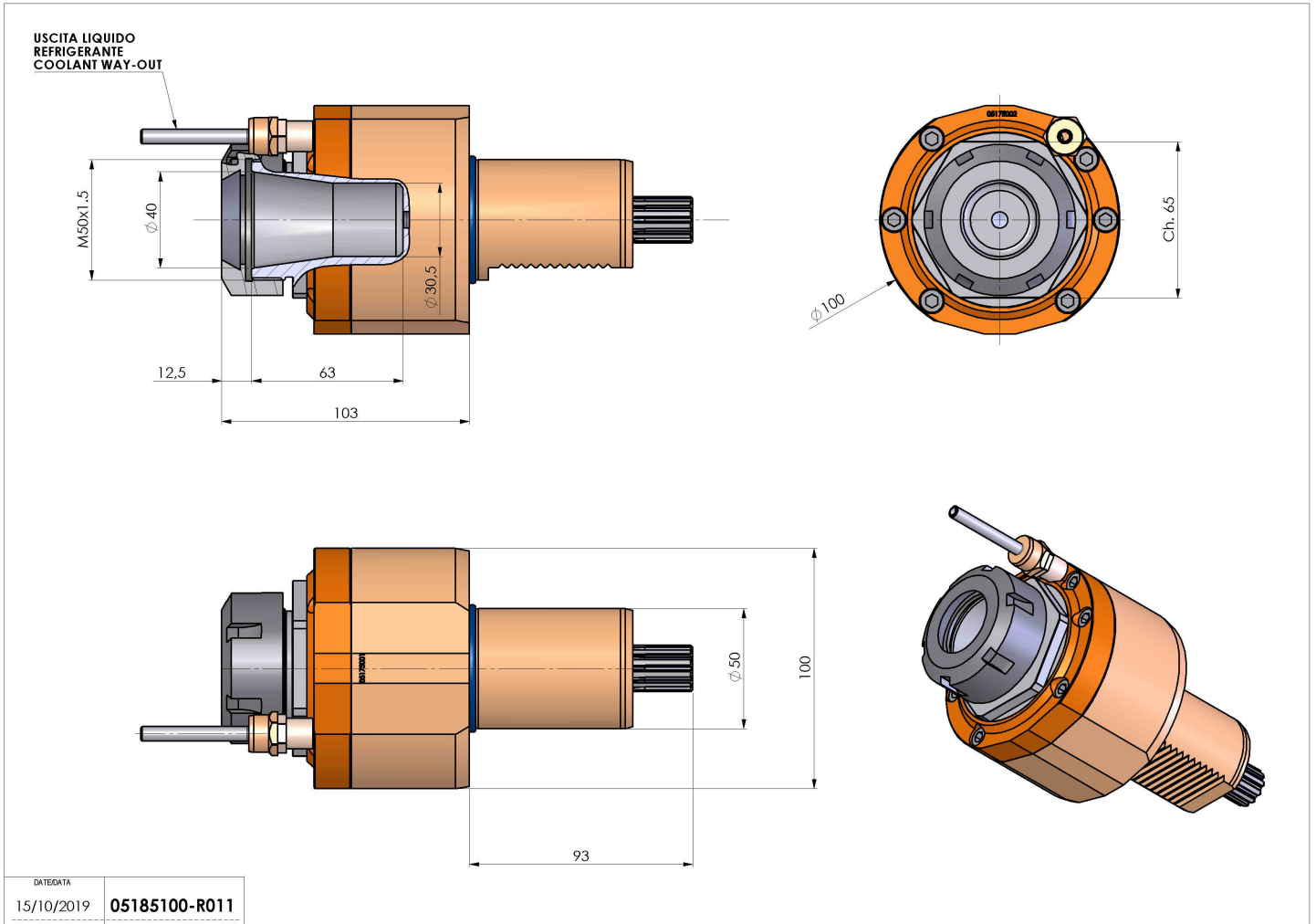
05185100 - LT-S VDI50 ER40 H103 DIN 5482

Type	LT-S Tool holder straight
Mounting	VDI 40
Tool output	Collet nut ER 40
Coolant	External coolant
Direction of rotation	r1 r2
Max speed [rpm]	6000
Max torque [Nm]	63
Ratio	1:1
H [mm]	103
Accessories	N.A.
Notes	N.A.
Mounting tips	Not suitable for every application, please check



ATTENZIONE: VERIFICARE L'ORIENTAMENTO DELLA DENTATURA VDI

Always check live tool dimensions on the turret



DATE/GATA	15/10/2019
PART NUMBER	05185100-R011

Subject to technical changes