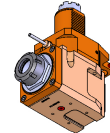


05179300 - LT-A VDI60 ER40 LR H106

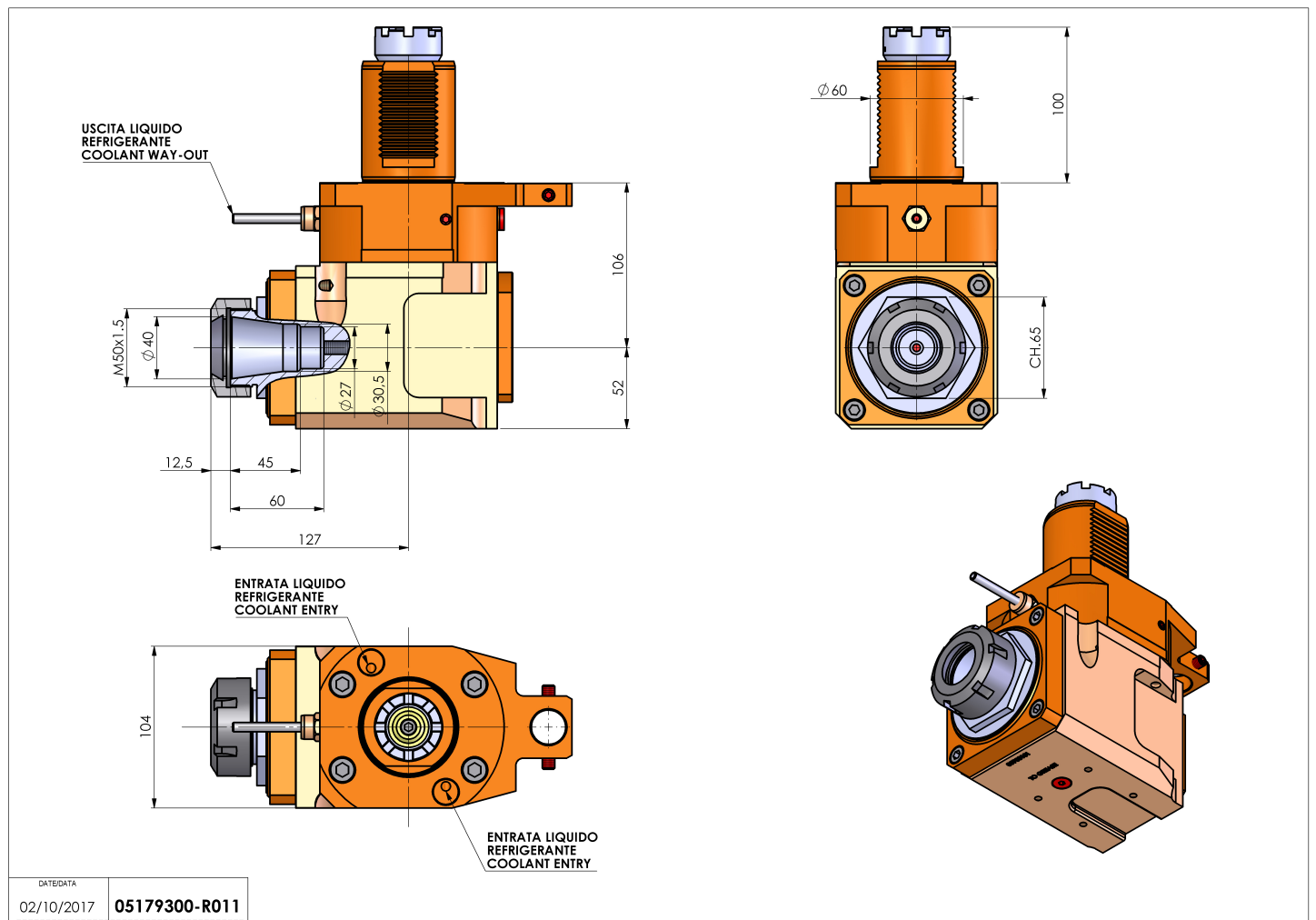
Type	LT-A Tool holder angle 90°
Mounting	VDI 60
Tool output	Collet nut ER 40
Coolant	External coolant
Direction of rotation	r1 ↻ r2 ↻
Max speed [rpm]	4000
Max torque [Nm]	120
Ratio	1:1
H [mm]	106
H1 [mm]	52
Accessories	N.A.
Notes	N.A.



Mounting tips Not suitable for every application, please check

ATTENZIONE: VERIFICARE L'ORIENTAMENTO DELLA DENTATURA VDI

Always check live tool dimensions on the turret



Subject to technical changes