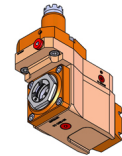


05178100 - LT-A VDI30 ER25F H78RF OF L BA

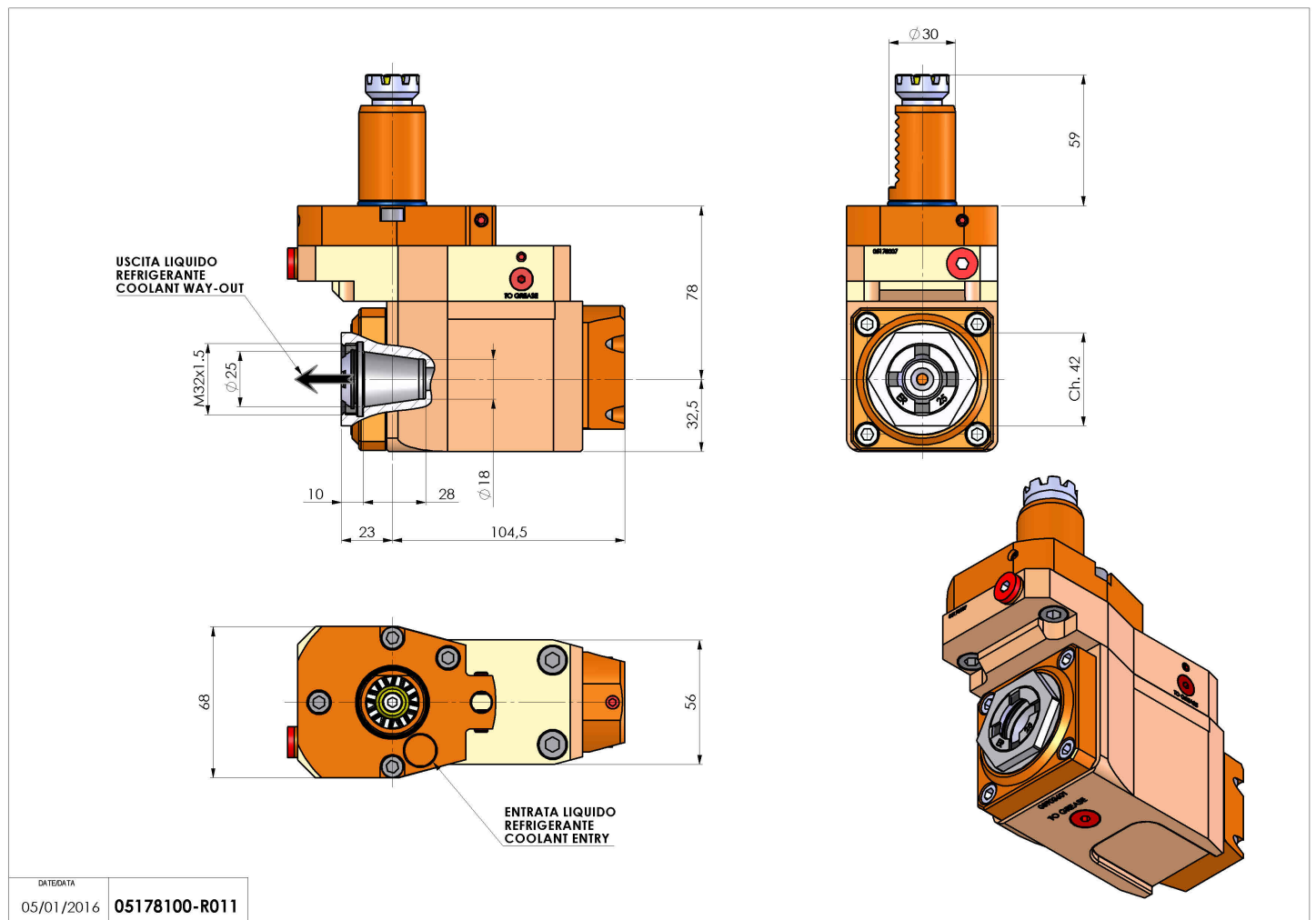
Type	LT-A OFS Tool holder offset angle 90°
Mounting	VDI 30
Tool output	Collet nut ER 25 F - internal nut
Coolant	Internal coolant
Direction of rotation	r1 r2
Max speed [rpm]	6000
Max torque [Nm]	25
Ratio	1:1
H [mm]	78
H1 [mm]	32,5
Accessories	N.A.
Notes	N.A.



Mounting tips Not suitable for every application, please check

ATTENZIONE: VERIFICARE L'ORIENTAMENTO DELLA DENTATURA VDI

Always check live tool dimensions on the turret



DATE/DATE	05/01/2016	05178100-R011
-----------	------------	---------------

Subject to technical changes