

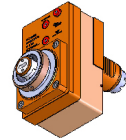


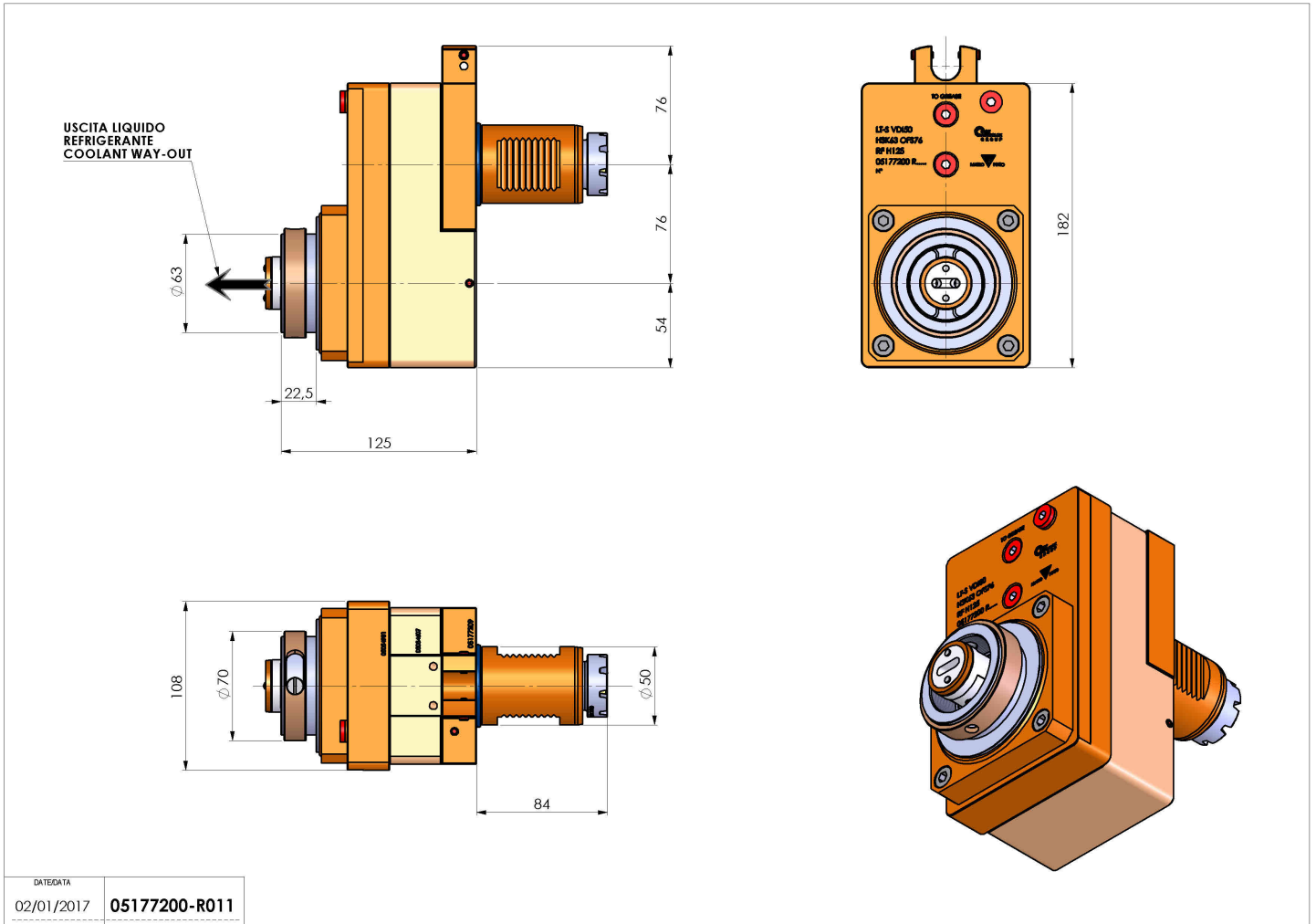
# 05177200 - LT-S VDI50 HSK63 OFS76 RF H125

<b>Type</b>	LT-S OFS Tool holder straight offset
<b>Mounting</b>	VDI 50
<b>Tool output</b>	Quick Change HSK63
<b>Coolant</b>	Internal coolant
<b>Direction of rotation</b>	r1  r2 
<b>Max speed [rpm]</b>	6000
<b>Max torque [Nm]</b>	80
<b>Ratio</b>	1:1
<b>H [mm]</b>	125
<b>Accessories</b>	N.A.
<b>Notes</b>	N.A.
<b>Mounting tips</b>	Not suitable for every application, please check



**ATTENZIONE: VERIFICARE L'ORIENTAMENTO DELLA DENTATURA VDI**

Always check live tool dimensions on the turret



DATE/GATE	02/01/2017	05177200-R011
-----------	------------	---------------

Subject to technical changes