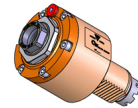


05172300 - LT-S VDI40 ER32F RF H74 BA

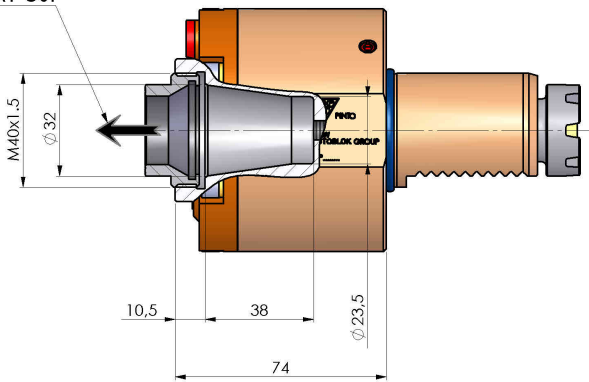
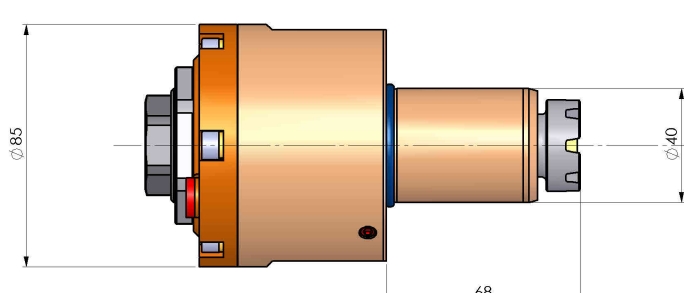
| | |
|------------------------------|--|
| Type | LT-S Tool holder straight |
| Mounting | VDI 40 |
| Tool output | Collet nut ER 32 F - internal nut |
| Coolant | Internal coolant |
| Direction of rotation | r1 r2 |
| Max speed [rpm] | 6000 |
| Max torque [Nm] | 63 |
| Ratio | 1:1 |
| H [mm] | 74 |
| Accessories | |
| Notes | N.A. |
| Mounting tips | Not suitable for every application, please check |

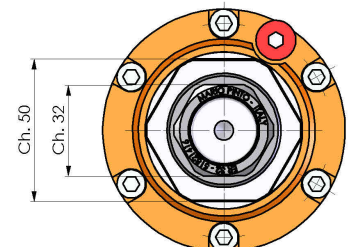
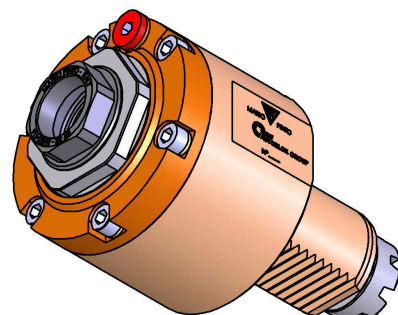


ATTENZIONE: VERIFICARE L'ORIENTAMENTO DELLA DENTATURA VDI

Always check live tool dimensions on the turret

USCITA LIQUIDO REFRIGERANTE
REFRIGERANTE
COOLANT WAY-OUT

DATE/GATA

22/12/2015

05172300-R011

Subject to technical changes