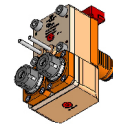


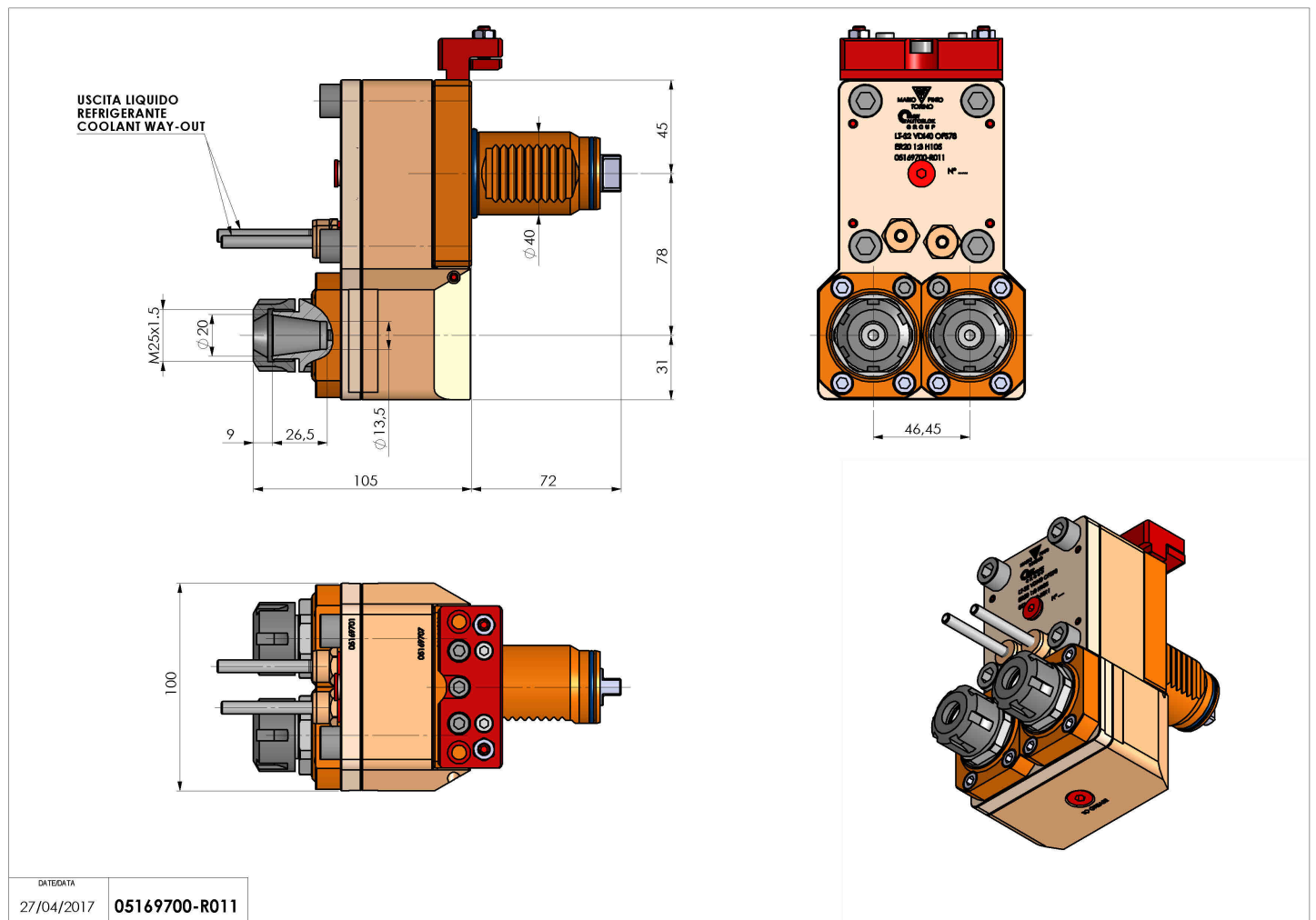
05169700 - LT-S2 VDI40 OFS78ER20 1:3H105

Type	LT-S2 OFS Tool holder double straight offset
Mounting	VDI 40
Tool output	Collet nut ER 20
Coolant	External coolant
Offset [mm]	78
Direction of rotation	r1 ↻ r2 ↻
Max speed [rpm]	in 5000 / out 15000
Max torque [Nm]	in 50 / out 14
Ratio	1:3
H [mm]	105
Accessories	N.A.
Notes	N.A.
Mounting tips	Not suitable for every application, please check



ATTENZIONE: VERIFICARE L'ORIENTAMENTO DELLA DENTATURA VDI

Always check live tool dimensions on the turret



DATE/DATE	05169700-R011
-----------	---------------

Subject to technical changes