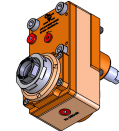
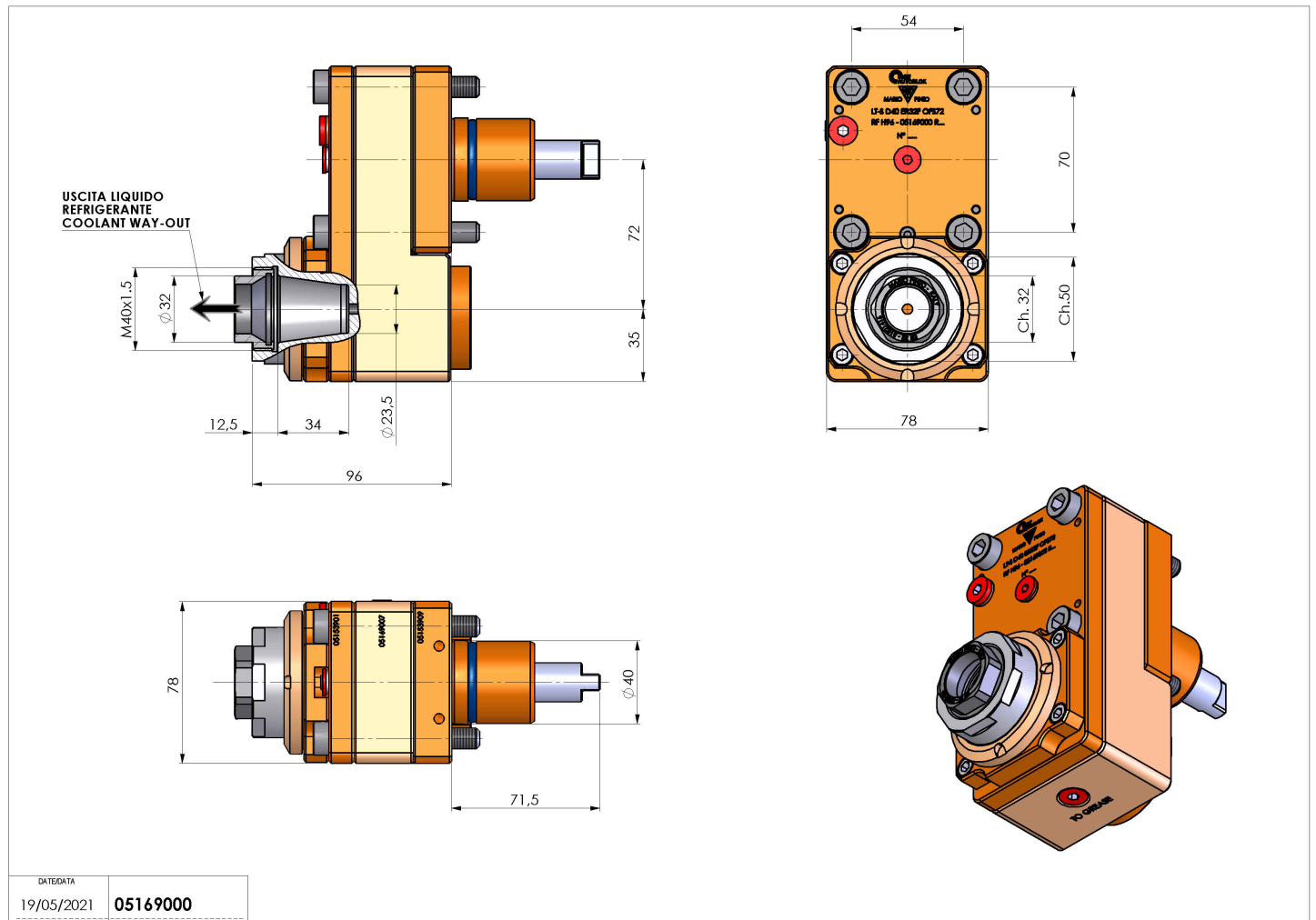


05169000 - LT-S D40 ER32F OFS72 LR RF H96

Type	LT-S OFS Tool holder straight offset
Mounting	CYLINDRICAL SHANK 40
Tool output	Collet nut ER 32 F - internal nut
Coolant	Internal coolant
Offset [mm]	72
Direction of rotation	r1 r2
Max speed [rpm]	6000
Max torque [Nm]	50
Ratio	1:1
H [mm]	96
Accessories	N.A.
Notes	N.A.
Mounting tips	Not suitable for every application, please check



Always check live tool dimensions on the turret



DATE/DATE	19/05/2021
PART NUMBER	05169000

Subject to technical changes