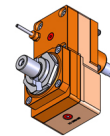
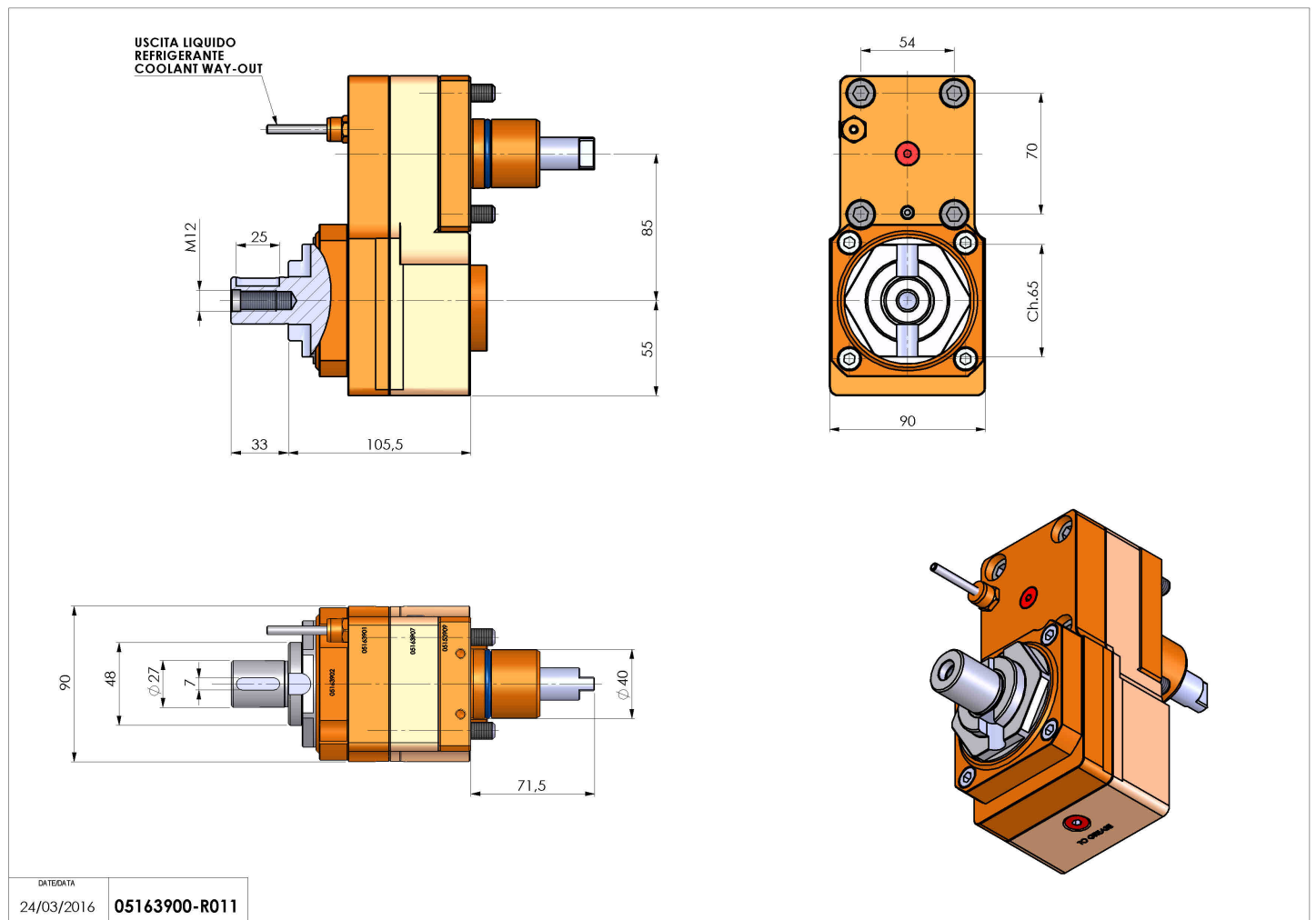


05163900 - LT-S D40 138-27OF85LR2:1H105MU

Type	LT-S OFS Tool holder straight offset
Mounting	CYLINDRICAL SHANK 40
Tool output	Shell-Mill DIN138 27
Coolant	External coolant
Offset [mm]	85
Direction of rotation	r1 r2
Max speed [rpm]	in 6000 / out 3000
Max torque [Nm]	in 50 / out 100
Ratio	2:1
H [mm]	105,5
Accessories	
Notes	N.A.
Mounting tips	Not suitable for every application, please check



Always check live tool dimensions on the turret



DATE/DATE	
24/03/2016	05163900-R011

Subject to technical changes