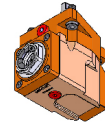
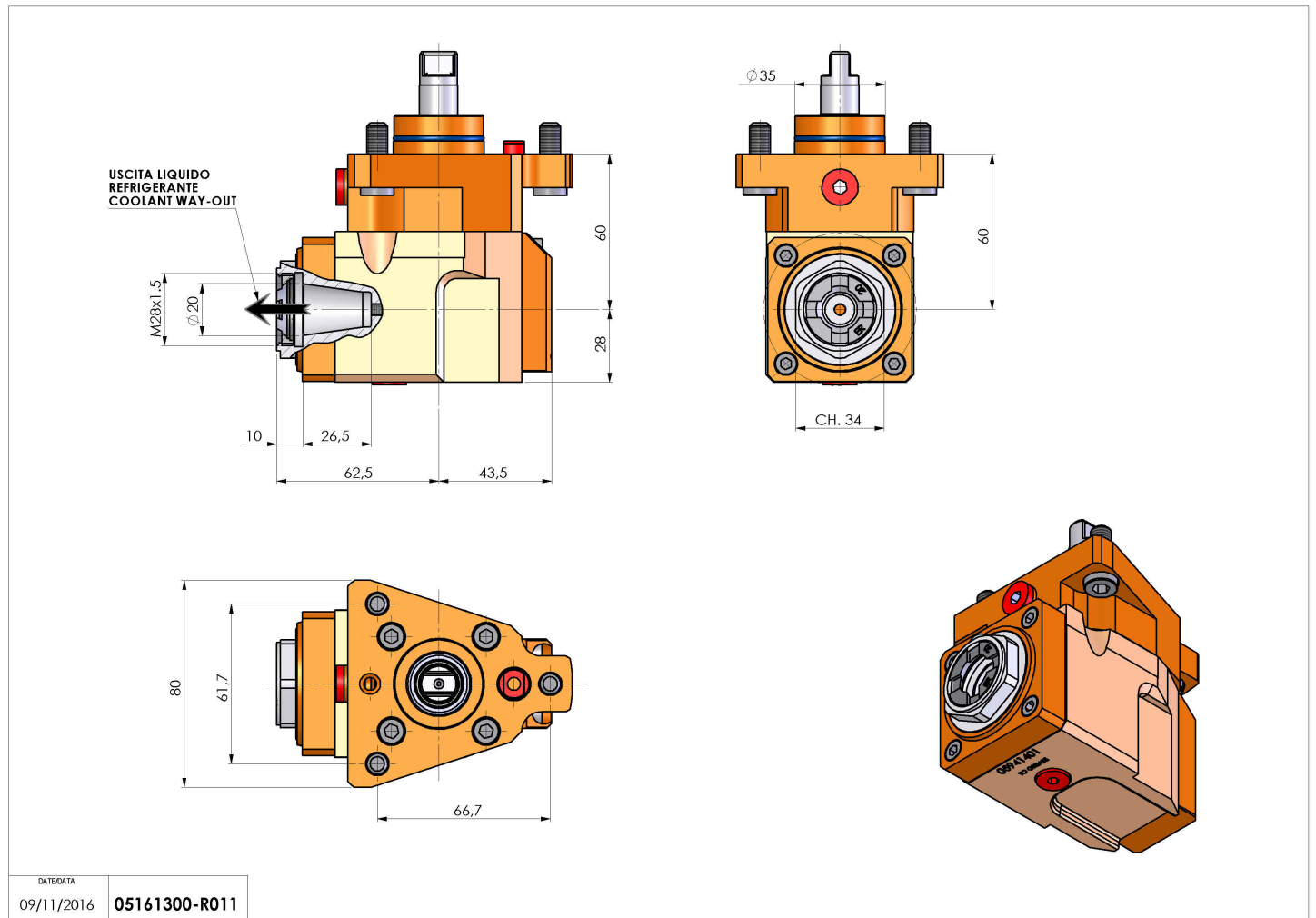


05161300 - LT-A D35 ER20F RF 2:1 H60 MU

Type	LT-A Tool holder angle 90°
Mounting	CYLINDRICAL SHANK 35
Tool output	Collet nut ER 20 F - internal nut
Coolant	Internal coolant
Direction of rotation	r1 ↻ r2 ↻
Max speed [rpm]	in 6000 / out 3000
Max torque [Nm]	in 10 / out 20
Ratio	2:1
H [mm]	60
H1 [mm]	28
Accessories	N.A.
Notes	N.A.
Mounting tips	Not suitable for every application, please check



Always check live tool dimensions on the turret



Subject to technical changes