

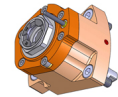
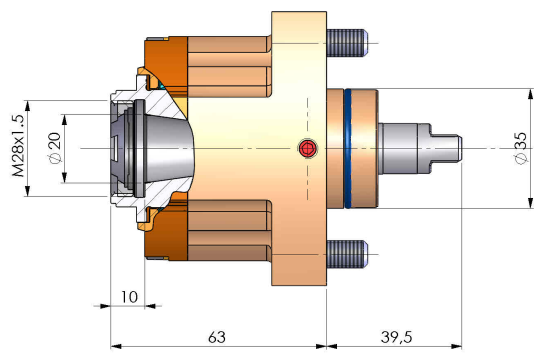


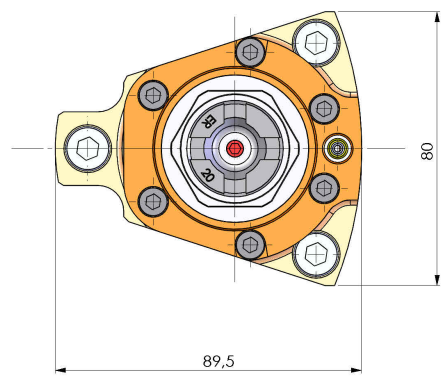
# 05160000 - LT-S D35 ER20F H63 MU

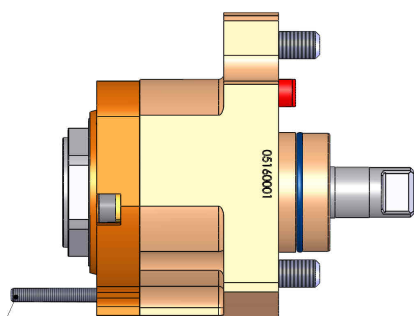
<b>Type</b>	LT-S Tool holder straight
<b>Mounting</b>	CYLINDRICAL SHANK 35
<b>Tool output</b>	Collet nut ER 20 F - internal nut
<b>Coolant</b>	External coolant
<b>Direction of rotation</b>	r1  r2 
<b>Max speed [rpm]</b>	6000
<b>Max torque [Nm]</b>	25
<b>Ratio</b>	1:1
<b>H [mm]</b>	63
<b>Accessories</b>	
<b>Notes</b>	N.A.
<b>Mounting tips</b>	Not suitable for every application, please check



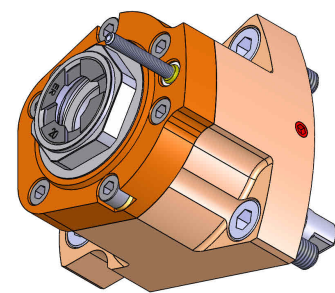
Always check live tool dimensions on the turret







USCITA LIQUIDO  
REFRIGERANTE  
COOLANT WAY-OUT



DATE/DATE
10/09/2015
05160000-R011

**Subject to technical changes**