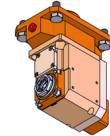
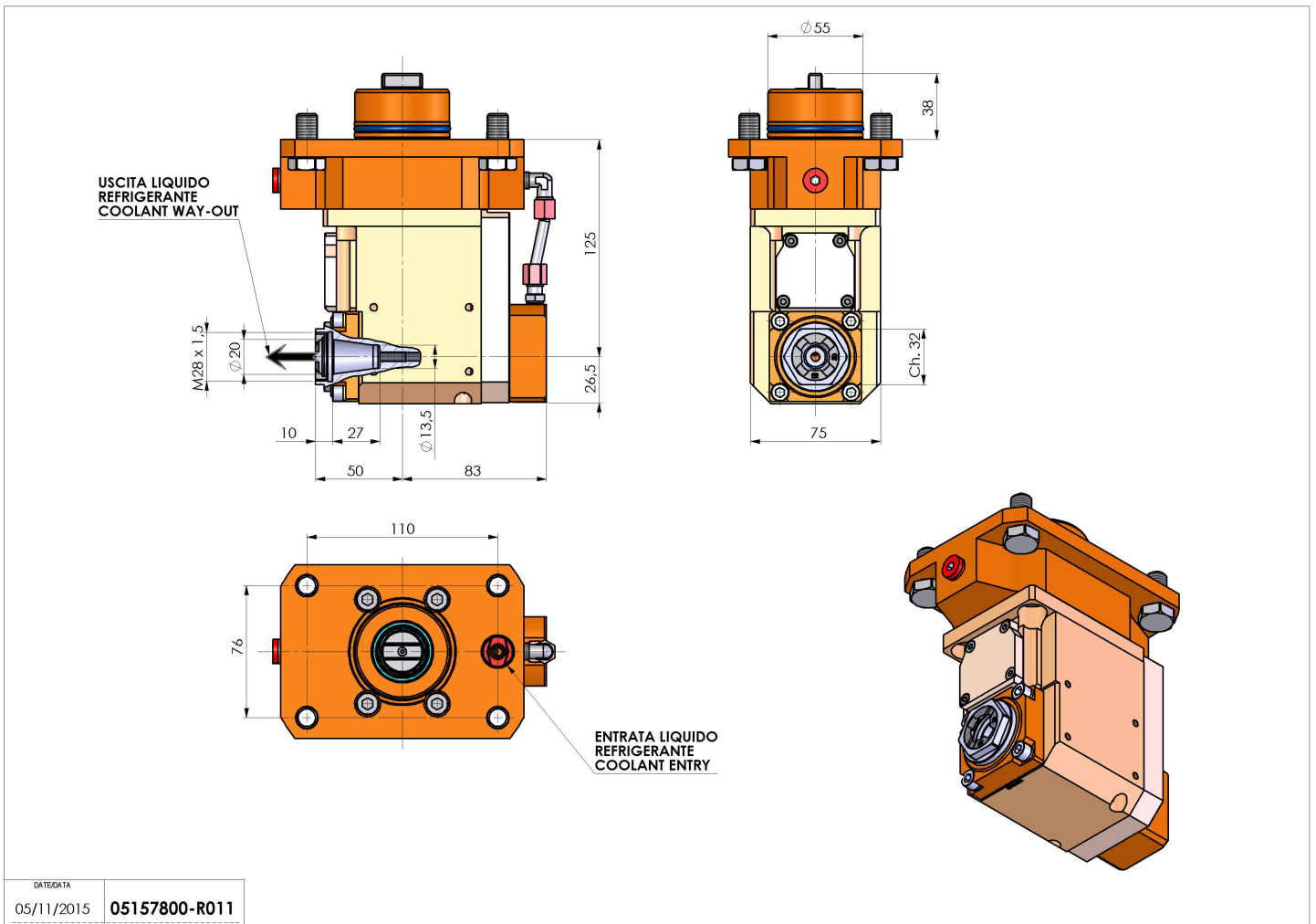


# 05157800 - LT-A D55 ER20F L-R H125RF1:2MU

|                              |  |
|------------------------------|--|
| <b>Type</b>                  | LT-A<br>Tool holder angle 90°                    |
| <b>Mounting</b>              | CYLINDRICAL SHANK 55                             |
| <b>Tool output</b>           | Collet nut ER 20 F - internal nut                |
| <b>Coolant</b>               | Internal coolant                                 |
| <b>Direction of rotation</b> | r1 ↻ r2 ↻  |
| <b>Max speed [rpm]</b>       | in 5000 / out 10000                              |
| <b>Max torque [Nm]</b>       | in 50 / out 25                                   |
| <b>Ratio</b>                 | 1:2  |
| <b>H [mm]</b>                | 125  |
| <b>H1 [mm]</b>               | 27   |
| <b>Accessories</b>           | N.A.   |
| <b>Notes</b>                 | N.A.   |
| <b>Mounting tips</b>         | Not suitable for every application, please check |



Always check live tool dimensions on the turret



|           |            |               |
|-----------|------------|---------------|
| DATE/DATE | 05/11/2015 | 05157800-R011 |
|-----------|------------|---------------|

Subject to technical changes