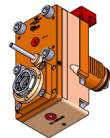


05156800 - LT-S VDI40MER20F OF78 1:3H90MU

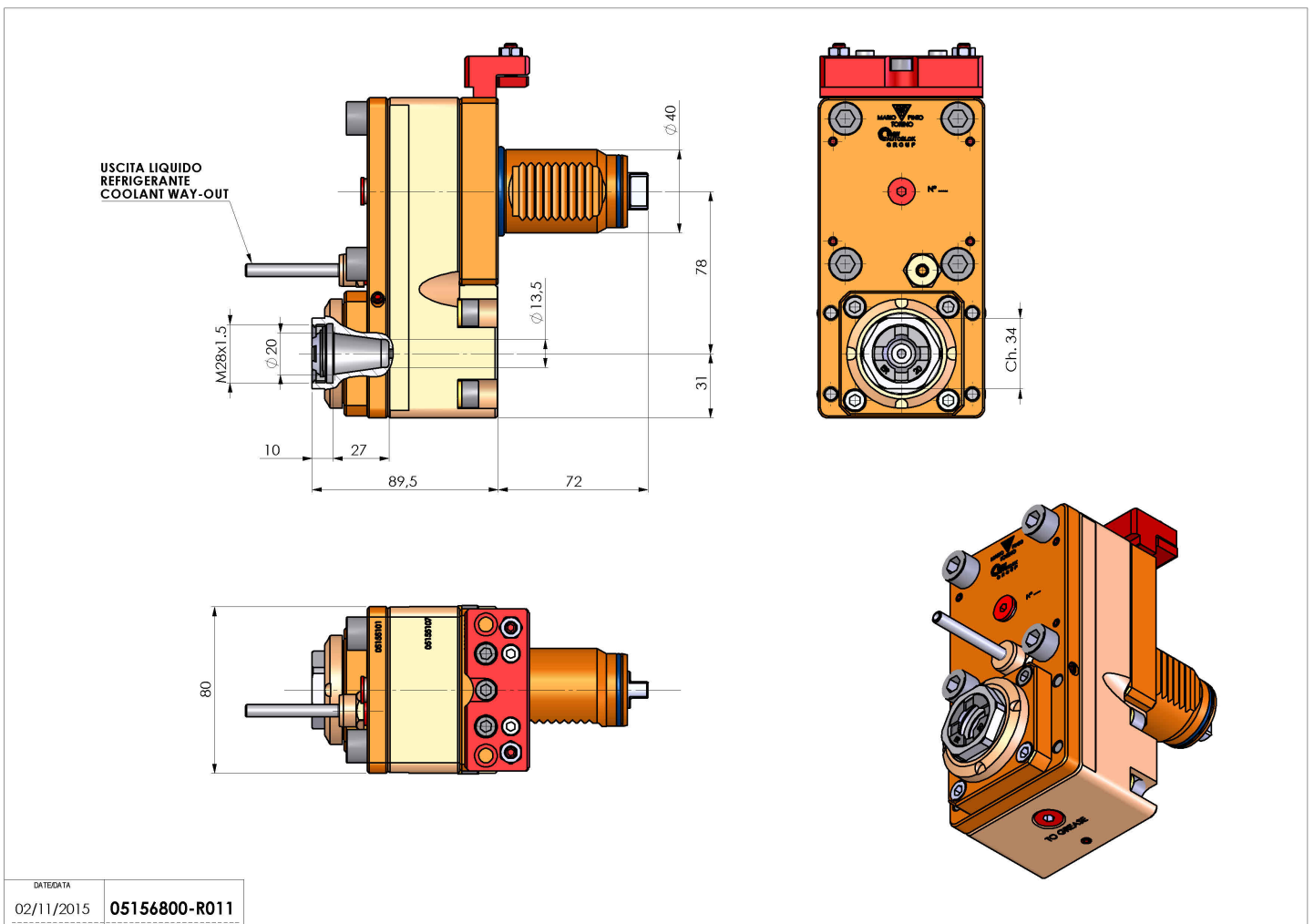
| | |
|------------------------------|---|
| Type | LT-S OFS Tool holder straight offset |
| Mounting | VDI 40 |
| Tool output | Collet nut ER 20 F - internal nut |
| Coolant | External coolant |
| Offset [mm] | 78 |
| Direction of rotation | r1 r2 |
| Max speed [rpm] | in 5000 / out 15000 |
| Max torque [Nm] | in 50 / out 14 |
| Ratio | 1:3 |
| H [mm] | 89,5 |
| Accessories | N.A. |
| Notes | N.A. |



Mounting tips Not suitable for every application, please check

ATTENZIONE: VERIFICARE L'ORIENTAMENTO DELLA DENTATURA VDI

Always check live tool dimensions on the turret



| | |
|-------------|---------------|
| DATE/GATA | 02/11/2015 |
| PART NUMBER | 05156800-R011 |

Subject to technical changes