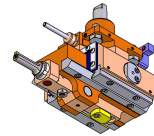
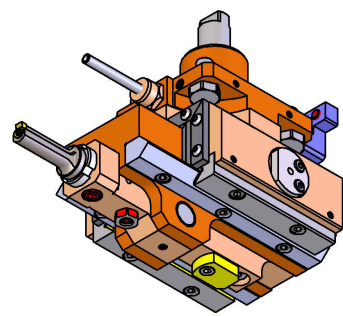
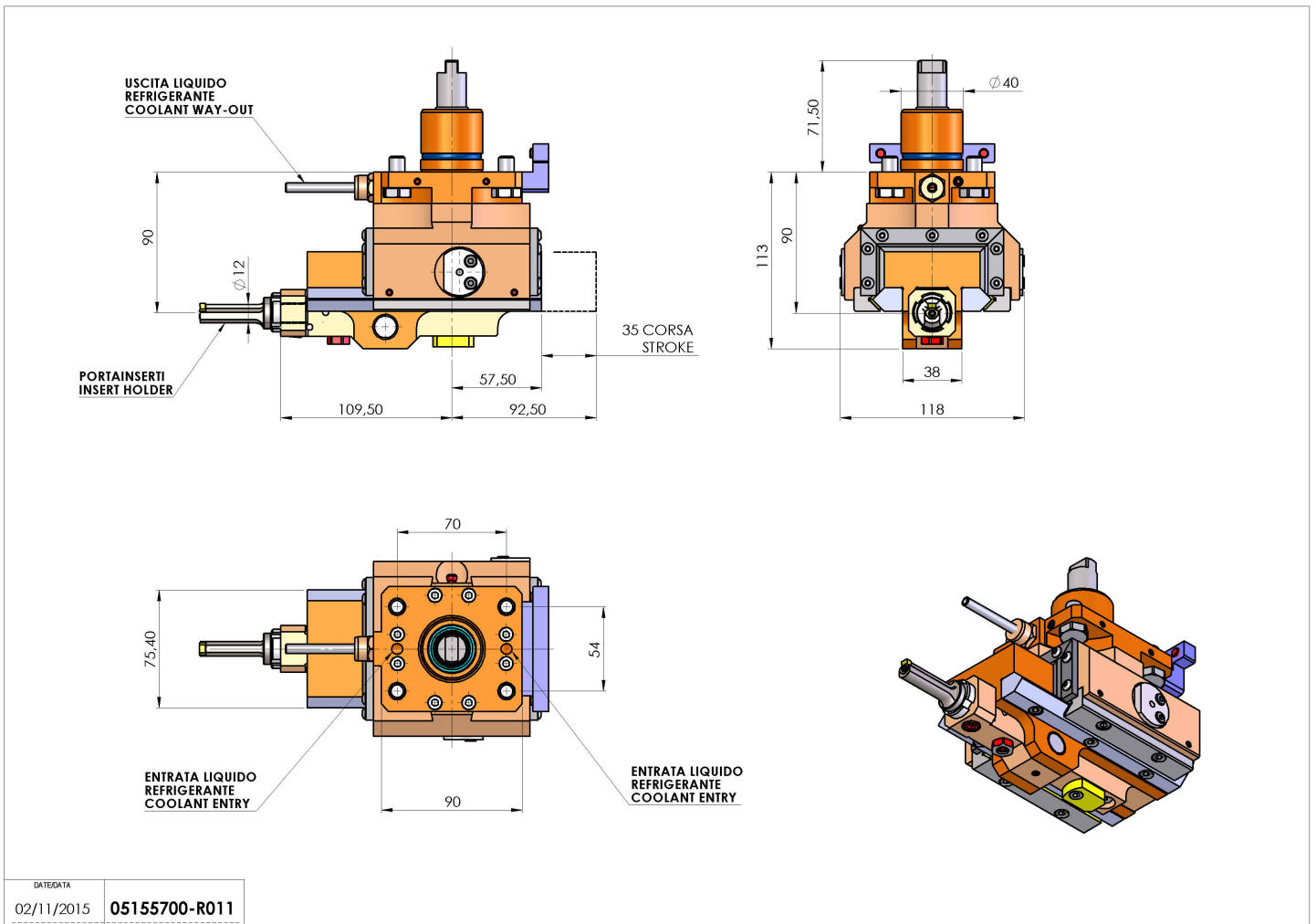


05155700 - LT-A ST35 D40 C12 CR-AY H90 MU

Type	LT-A ST Slotting tool 90°
Mounting	CYLINDRICAL SHANK 40
Tool output	Tool diameter 12
Coolant	External coolant
Max speed [rpm]	700
Max torque [Nm]	17,5
Ratio	1:1
Y axis adjustment	SI
Feed pushing [N]	1000
Stroke [mm]	35
Work stroke [mm]	30
Y axis adjust. [mm]	±0,4
H [mm]	90
Accessories	N.A.
Notes	Mounted on lower turret can work on secondary spindle only
Mounting tips	Not suitable for every application, please check



Always check live tool dimensions on the turret



DATE/DATE: 02/11/2015
05155700-R011

Subject to technical changes