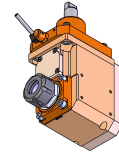
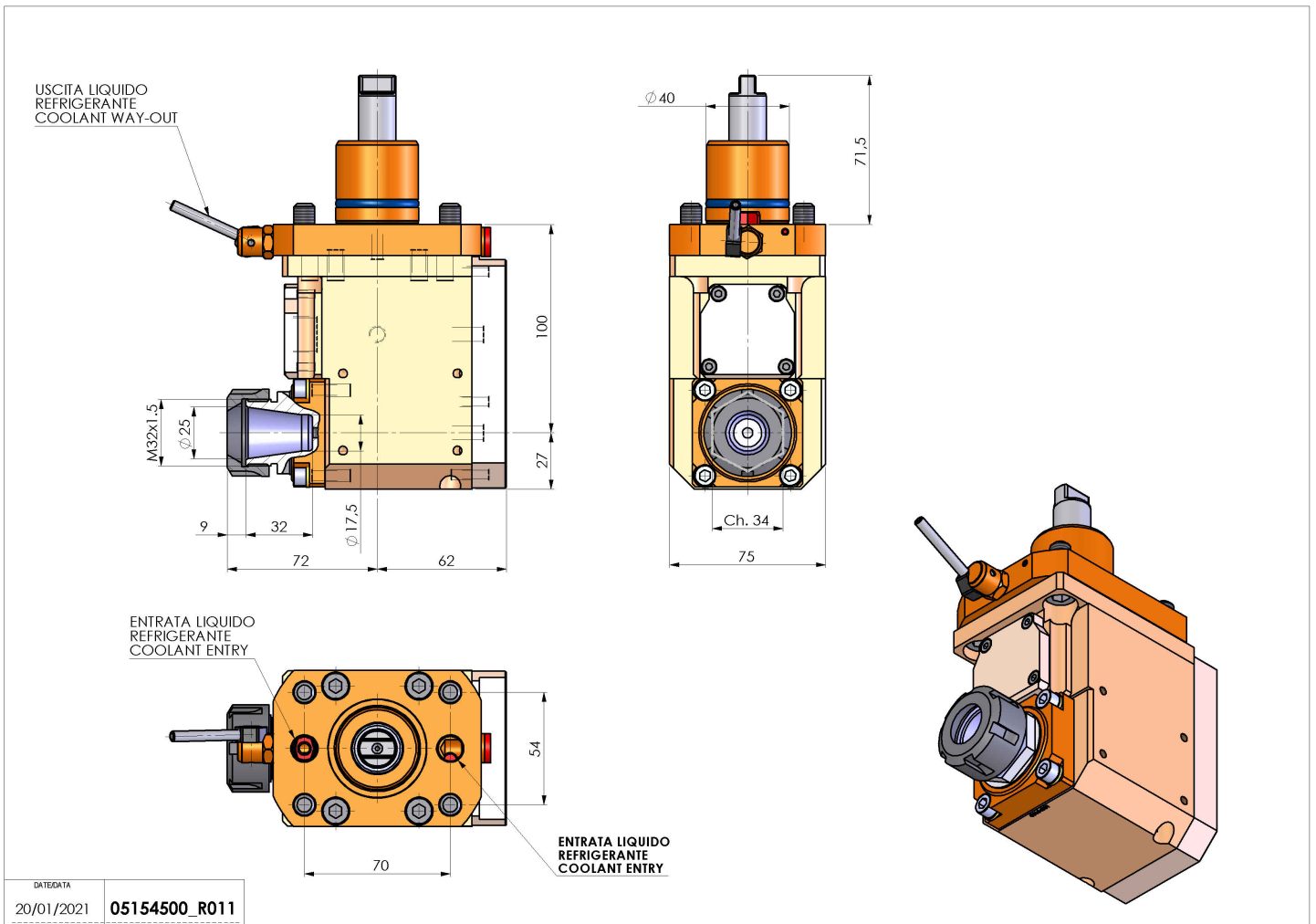


05154500 - LT-A D40 ER25 L H100 1:2

Type	LT-A Tool holder angle 90°
Mounting	CYLINDRICAL SHANK 40
Tool output	Collet nut ER 25
Coolant	External coolant
Direction of rotation	r1 r2
Max speed [rpm]	in 5000 / out 10000
Max torque [Nm]	in 50 / out 25
Ratio	1:2
H [mm]	100
H1 [mm]	27
Accessories	N.A.
Notes	Mounted on lower turret can work on secondary spindle only
Mounting tips	Not suitable for every application, please check



Always check live tool dimensions on the turret



Subject to technical changes