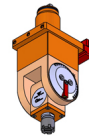


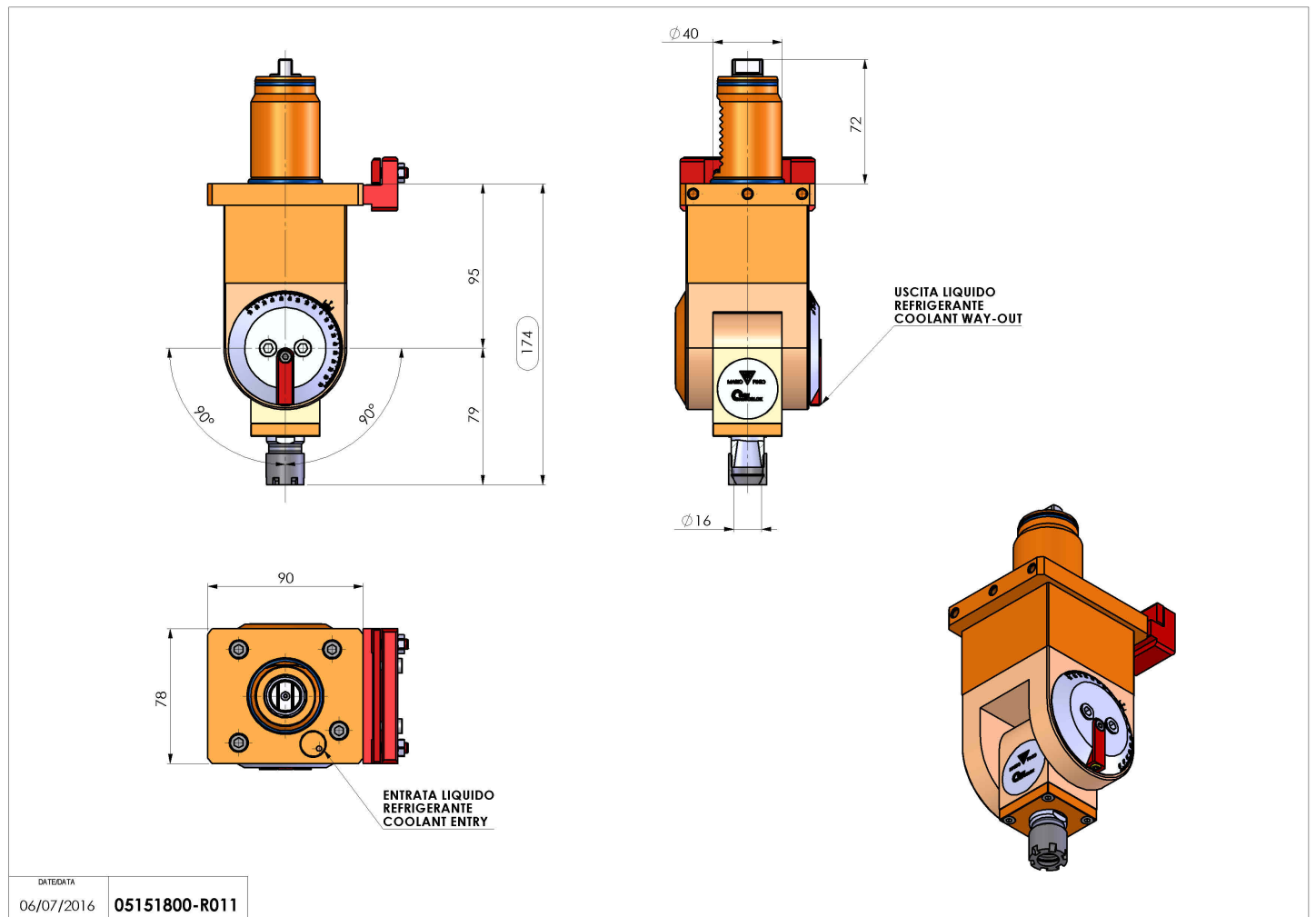
05151800 - LT-T VDI40M ER16 H95-174

Type	LT-T Tool holder tiltable
Mounting	VDI 40
Tool output	Collet nut ER 16
Coolant	External coolant
Direction of rotation	r1 ↻ r2 ↻
Max speed [rpm]	6000
Max torque [Nm]	10
Ratio	1:1
H [mm]	95-174
Accessories	N.A.
Notes	Replaced by cod. 05151700
Mounting tips	Not suitable for every application, please check



ATTENZIONE: VERIFICARE L'ORIENTAMENTO DELLA DENTATURA VDI

Always check live tool dimensions on the turret



DATE/ATA
06/07/2016 05151800-R011

Subject to technical changes