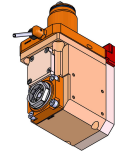


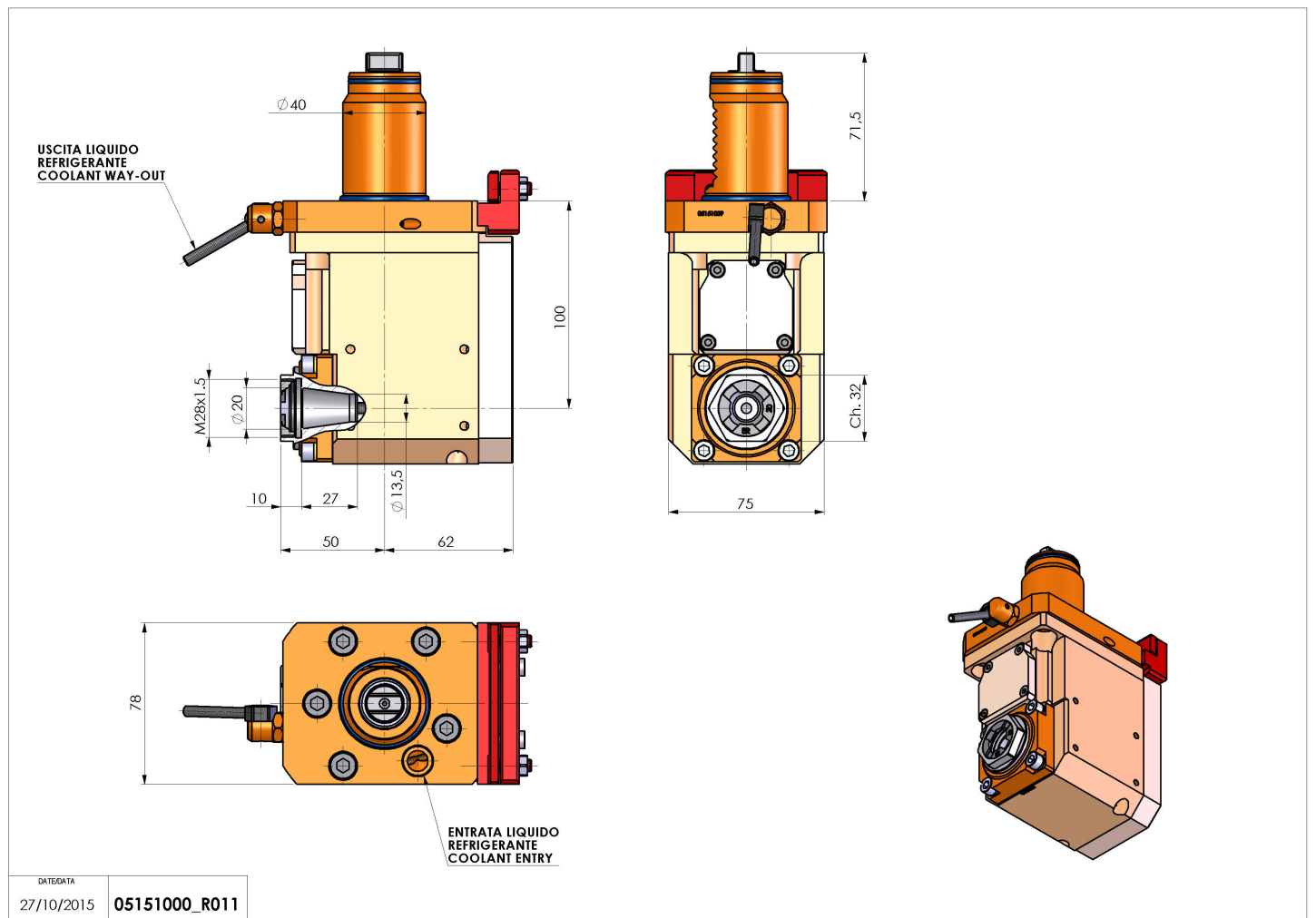
05151000 - LT-A VDI40M ER20F L H100 1:2MU

| | |
|------------------------------|--|
| Type | LT-A Tool holder angle 90° |
| Mounting | VDI 40 |
| Tool output | Collet nut ER 20 F - internal nut |
| Coolant | External coolant |
| Direction of rotation | r1 ↻ r2 ↻ |
| Max speed [rpm] | in 5000 / out 10000 |
| Max torque [Nm] | in 50 / out 25 |
| Ratio | 1:2 |
| H [mm] | 100 |
| H1 [mm] | 27 |
| Accessories | N.A. |
| Notes | N.A. |
| Mounting tips | Not suitable for every application, please check |



ATTENZIONE: VERIFICARE L'ORIENTAMENTO DELLA DENTATURA VDI

Always check live tool dimensions on the turret



Subject to technical changes