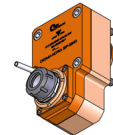
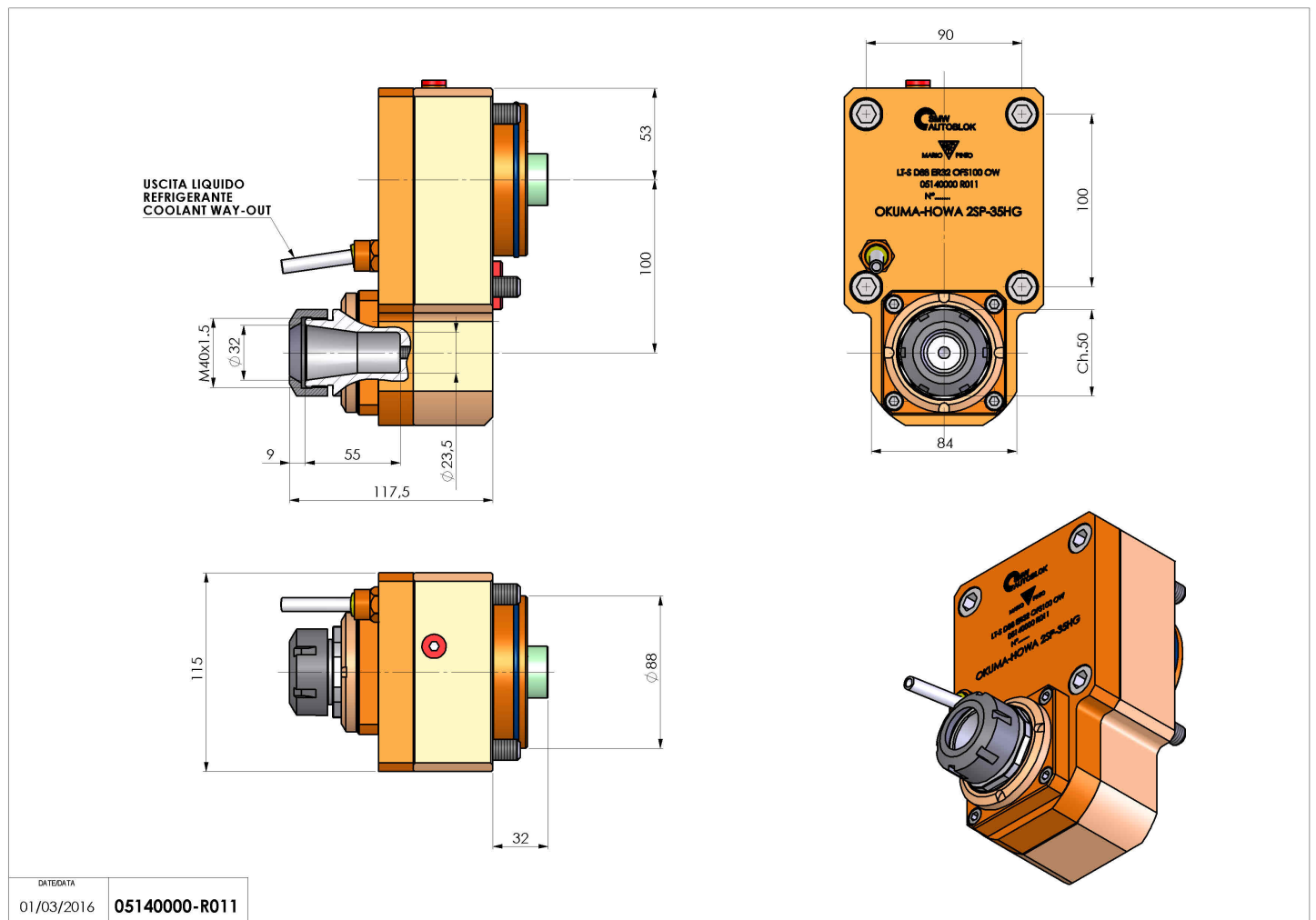


# 05140000 - LT-S D88 ER32 OFS-100 H108 OW

<b>Type</b>	LT-S OFS Tool holder straight offset
<b>Mounting</b>	CYLINDRICAL SHANK 88
<b>Tool output</b>	Collet nut ER 32
<b>Coolant</b>	External coolant
<b>Offset [mm]</b>	100
<b>Direction of rotation</b>	r1  r2
<b>Max speed [rpm]</b>	6000
<b>Max torque [Nm]</b>	63
<b>Ratio</b>	1:1
<b>H [mm]</b>	108,5
<b>Accessories</b>	N.A.
<b>Notes</b>	N.A.
<b>Mounting tips</b>	Not suitable for every application, please check



Always check live tool dimensions on the turret



DATE/DATE	01/03/2016
	05140000-R011

Subject to technical changes